

Base Drawer Cabinets

MAI00004 R0



Please read these instructions carefully before proceeding.

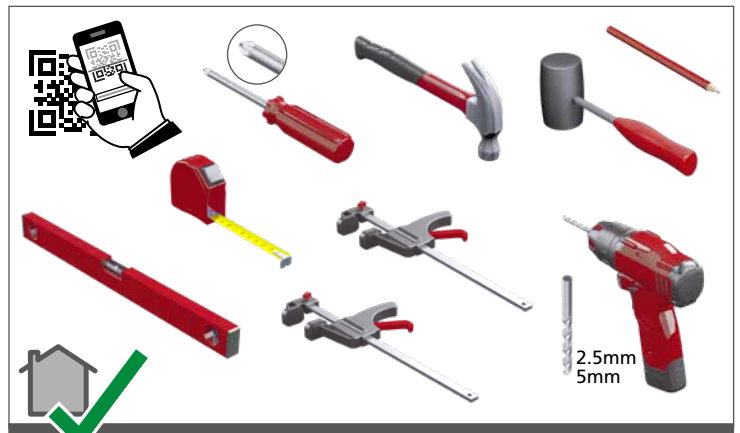
This instruction is used in conjunction with the Installation Guide.

Important: Installation shall be carried out exactly according to the manufacturer's instructions otherwise a safety risk can occur if incorrectly installed.

Warning: In order to prevent cabinets overturning or falling down they must be used with the wall attachment device/s provided. Before fixing any cabinets to the wall, ensure the wall construction is capable of taking the weight of the loaded cabinet and that appropriate fixings are used. If in doubt, consult an expert.

Note: Wall fixing screws are not supplied due to different wall types requiring different fixings.

Caution: Some small pieces of hardware could be hazardous to small children. Keep all these items out of reach and do not leave children unattended in the assembly area.



How the cabinet is supplied.

① - ⑤

Single Cabinet,
(600mm base illustrated, others similar)

 x2 - Per frontal 94405709	 x1 - Single 92119701	Tandembox - per standard drawer x2 - 94406413 x4 - 64356003 Ø4x16 RHD x2 - 94406905 Ø6x16 EURO	Metabox - per standard drawer x2 - 94406417 x4 - 64356003 Ø4x16 RHD x2 - 94356602 Ø3.5x15
 4 pack - 94401898 x2 - 94356602 Ø3.5x15		Tandembox - per pan drawer x2 - 94406905 Ø6x16 EURO x2 - 94406413 x4 - 64356003 Ø4x16 RHD x2 - 95400061 rail x2 - 94381734 cup x2 - 64356003 Ø4x16 RHD	Metabox - per pan drawer x2 - 94406417 x4 - 64356003 Ø4x16 RHD x2 - 94356602 Ø3.5x15

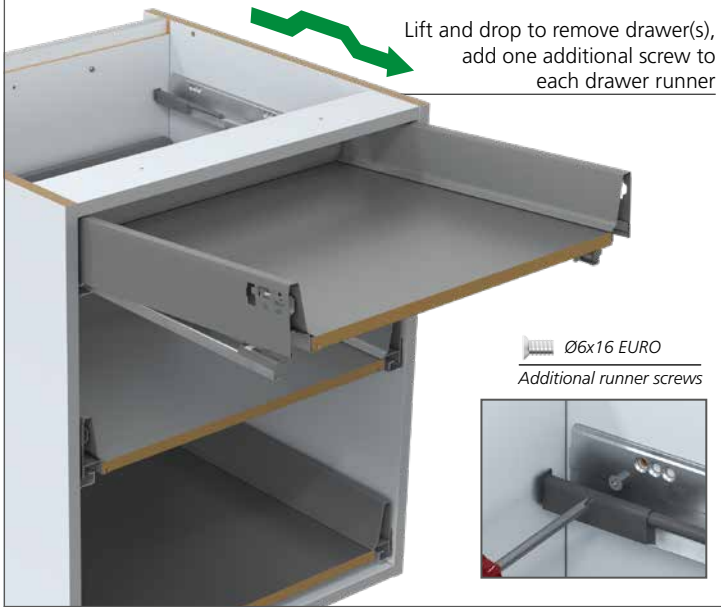
⑥ - ⑨

Double Cabinet,
(1000mm base illustrated, others similar)

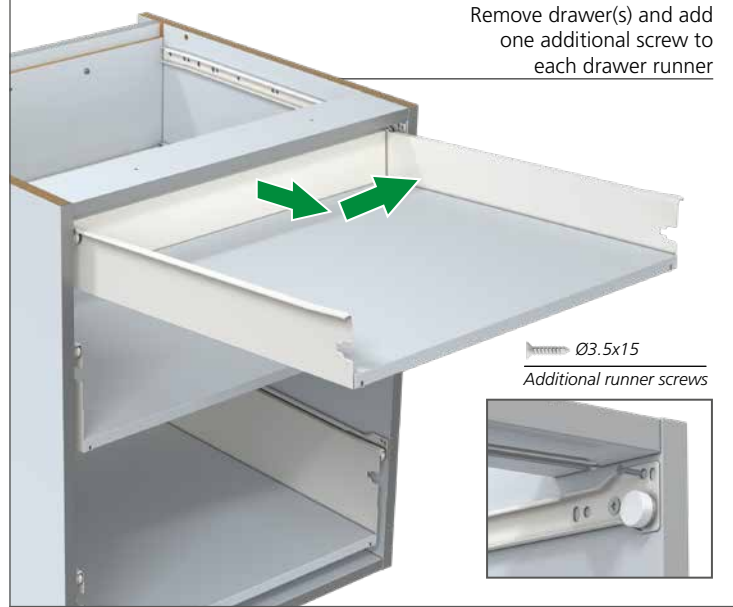
 x2 - Per frontal 94405709	 x1 - Single 92119701	Tandembox - per standard drawer x2 - 94406413 x4 - 64356003 Ø4x16 RHD x2 - 94406905 Ø6x16 EURO	Metabox - per standard drawer x2 - 94406417 x4 - 64356003 Ø4x16 RHD x2 - 94356602 Ø3.5x15
 4 pack - 94401898 x2 - 94356602 Ø3.5x15		Tandembox - per pan drawer x2 - 94406905 Ø6x16 EURO x2 - 94406413 x4 - 64356003 Ø4x16 RHD x2 - 95400061 rail x2 - 94381734 cup x2 - 64356003 Ø4x16 RHD	Metabox - per pan drawer x2 - 94406417 x4 - 64356003 Ø4x16 RHD x2 - 94356602 Ø3.5x15

1

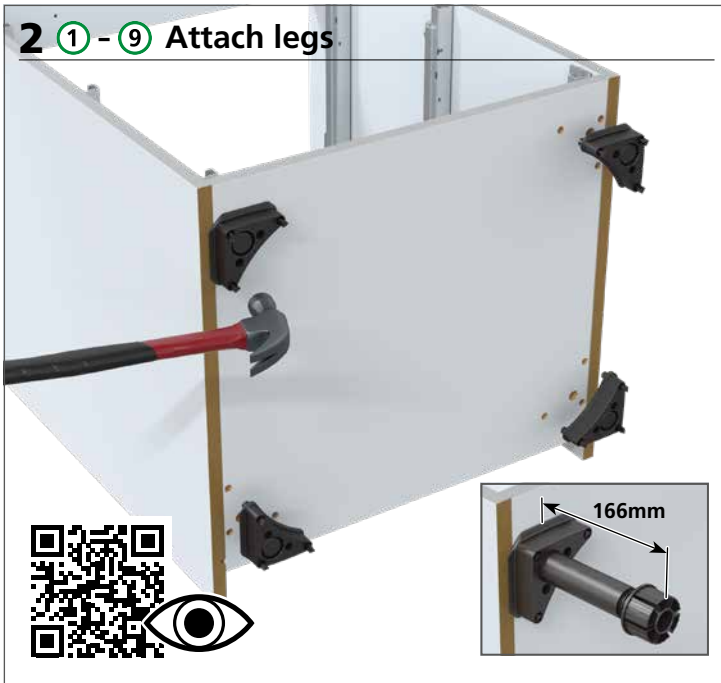
1 ① - ⑨ Remove drawer(s) - Tandembox



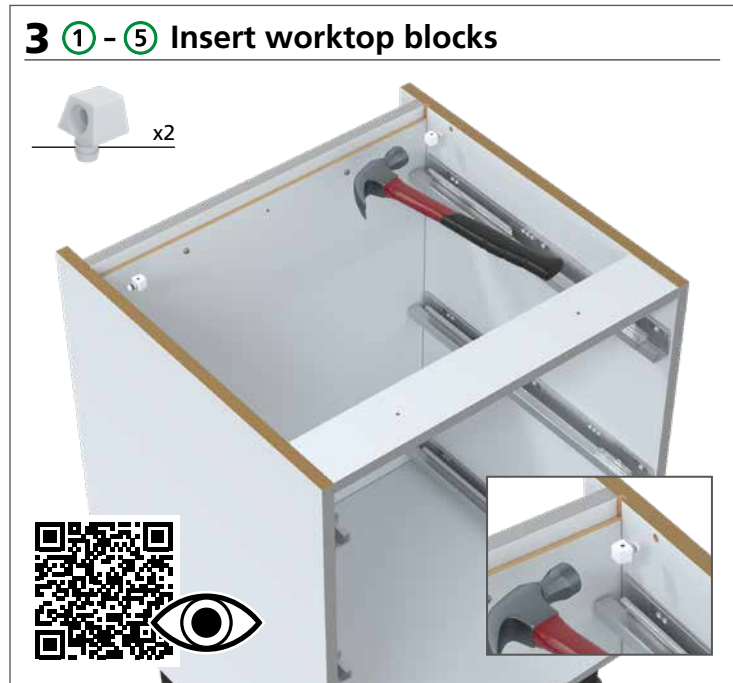
1 ① - ⑨ Remove drawer(s) - Metabox



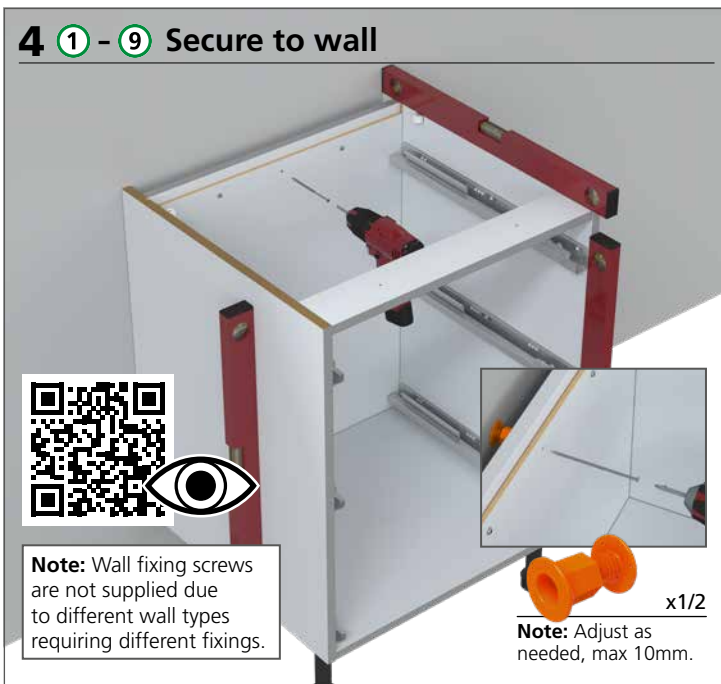
2 ① - ⑨ Attach legs



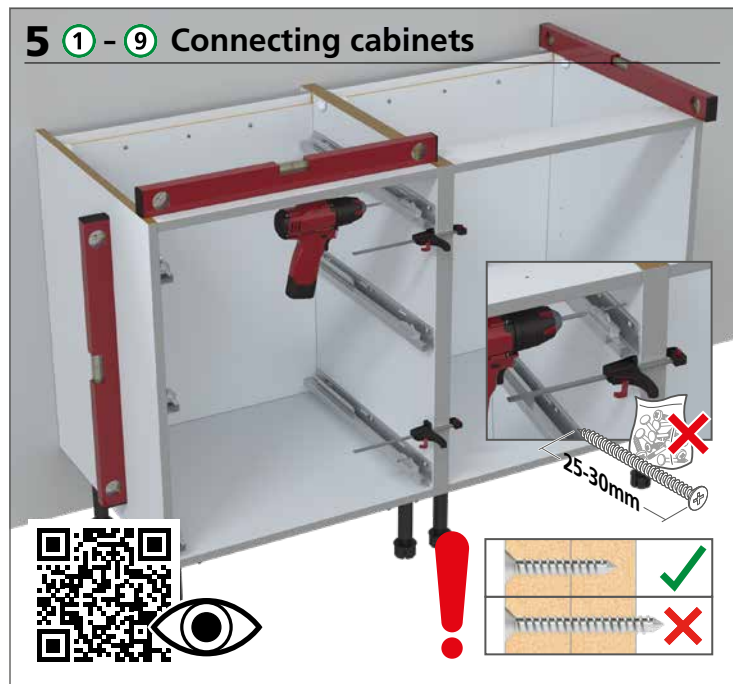
3 ① - ⑤ Insert worktop blocks



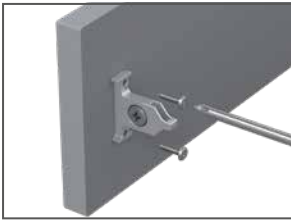
4 ① - ⑨ Secure to wall



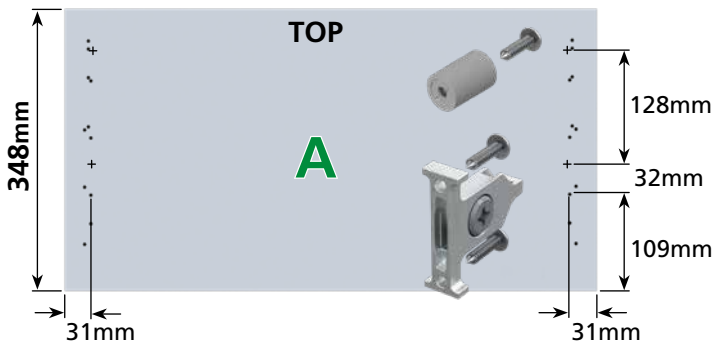
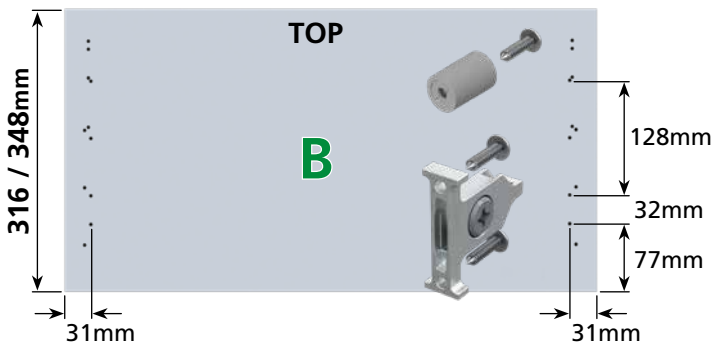
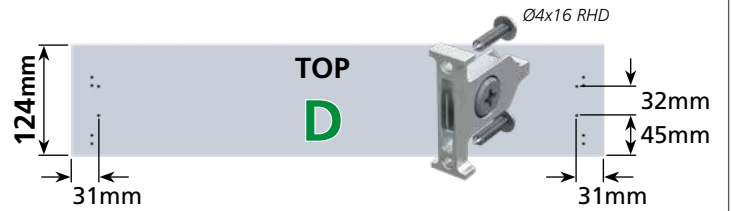
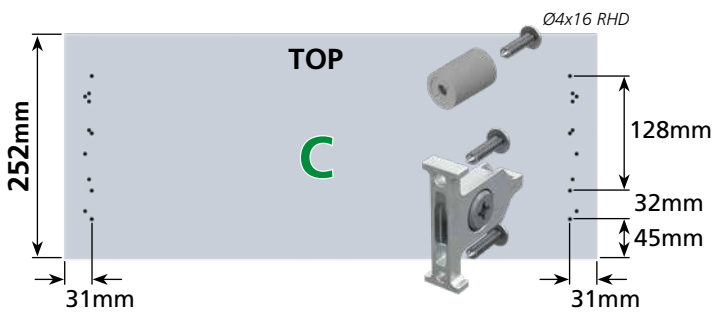
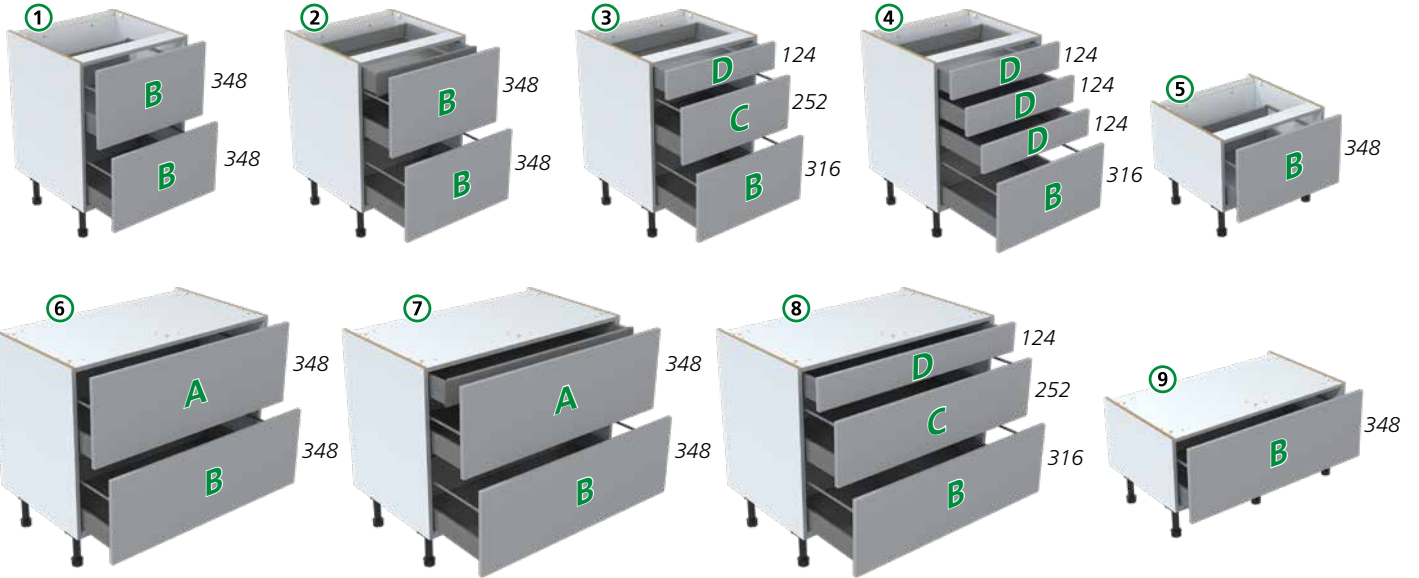
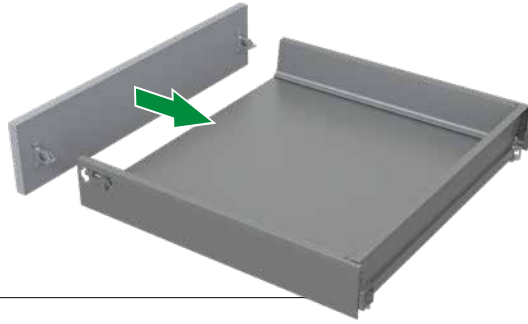
5 ① - ⑨ Connecting cabinets



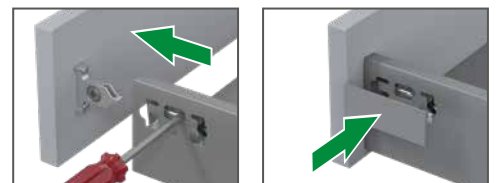
6 ① - ⑨ Tandembox drawer



Attach drawer frontal brackets, see frontal dimensions

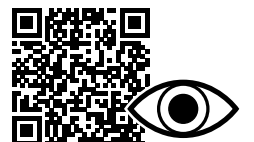


Drawer frontal adjustment



Remove drawer frontal

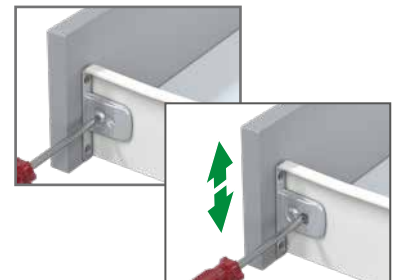
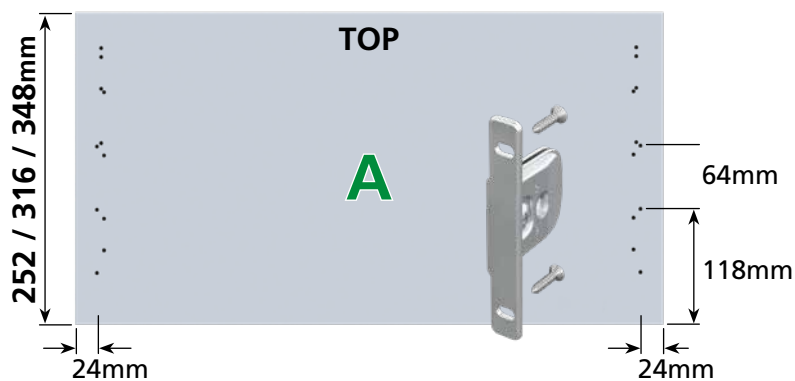
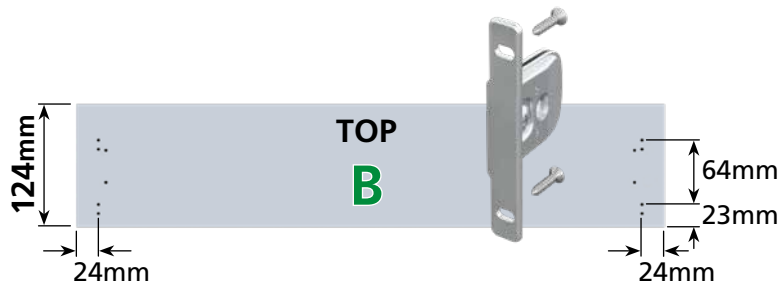
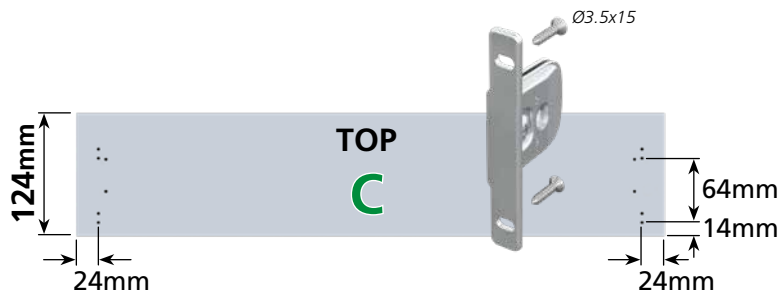
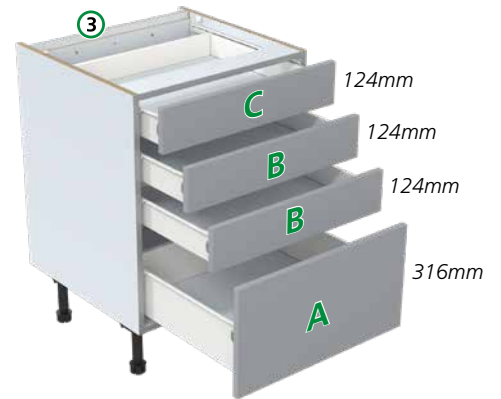
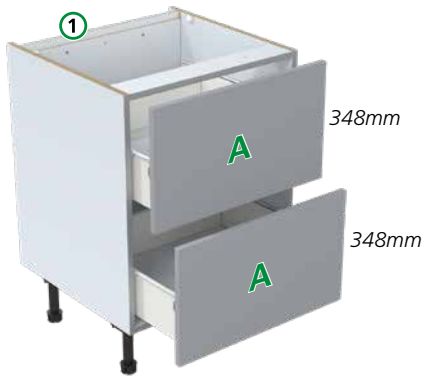
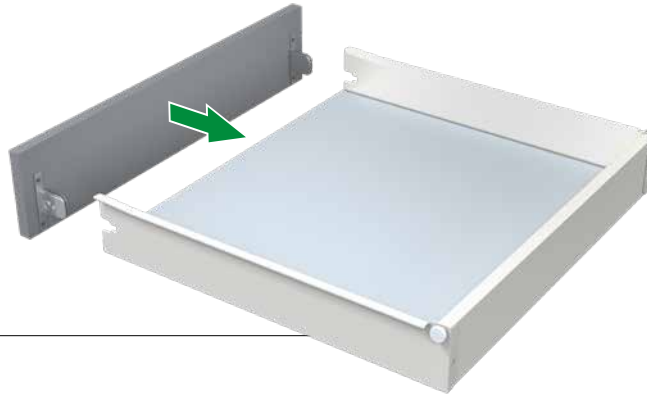
Fit cover cap



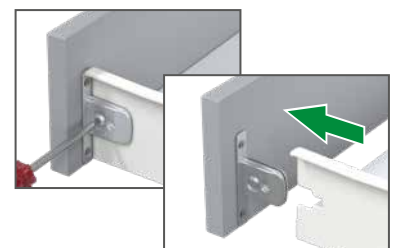
9 ① - ③ Metabox drawer



Attach drawer frontal brackets, see frontal dimensions



Drawer frontal adjustment



Remove drawer frontal