



800 Corner Base



1000 Corner Base



INSTALLATION GUIDE



**Please read these instructions carefully before proceeding.**

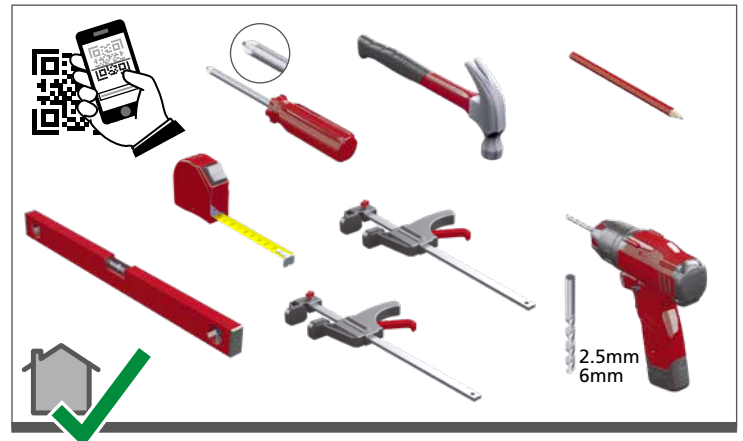
This instruction is used in conjunction with the Installation Guide.

**Important:** Installation shall be carried out exactly according to the manufacturer's instructions otherwise a safety risk can occur if incorrectly installed.

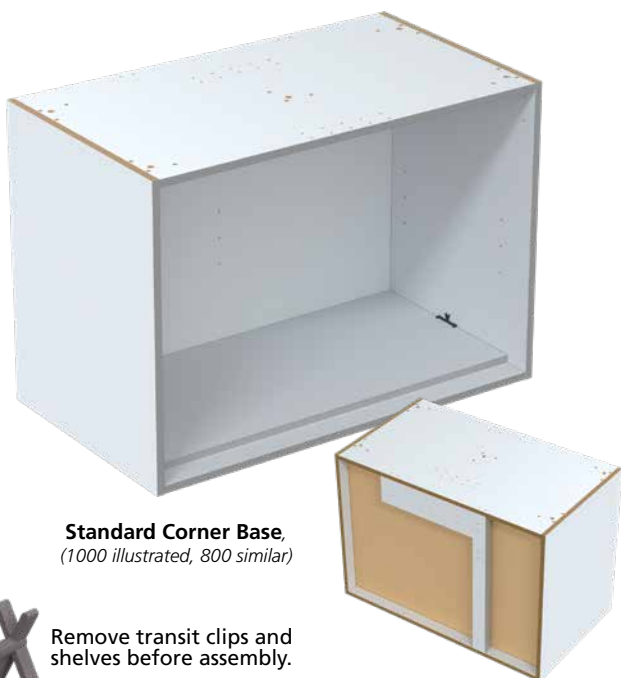
**Warning:** In order to prevent cabinets overturning or falling down they must be used with the wall attachment device/s provided. Before fixing any cabinets to the wall, ensure the wall construction is capable of taking the weight of the loaded cabinet and that appropriate fixings are used. If in doubt, consult an expert.

**Note:** Wall fixing screws are not supplied due to different wall types requiring different fixings.

**Caution:** Some small pieces of hardware could be hazardous to small children. Keep all these items out of reach and do not leave children unattended in the assembly area.



**How the cabinet is supplied.**



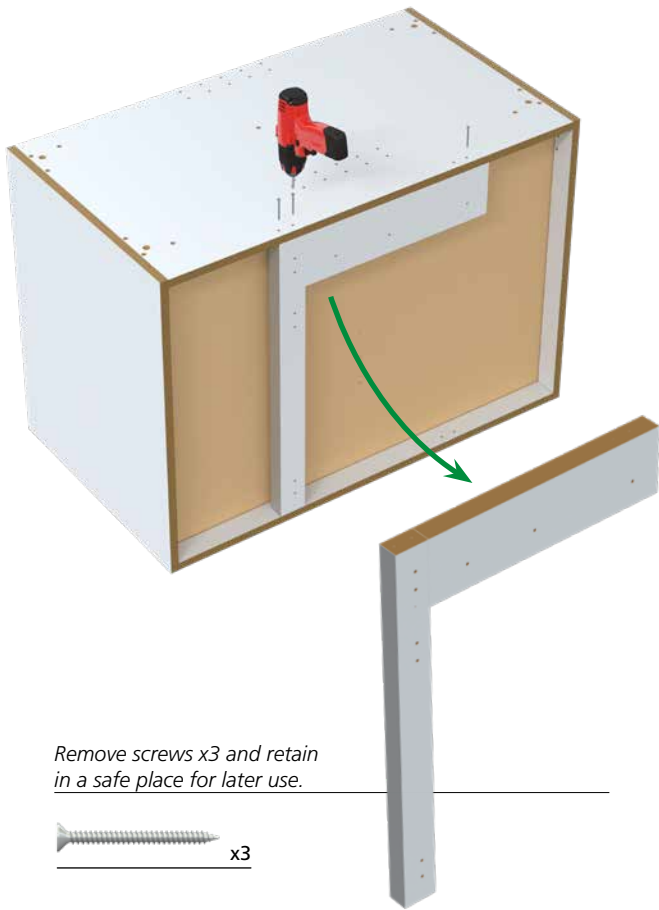
Standard Corner Base,  
(1000 illustrated, 800 similar)



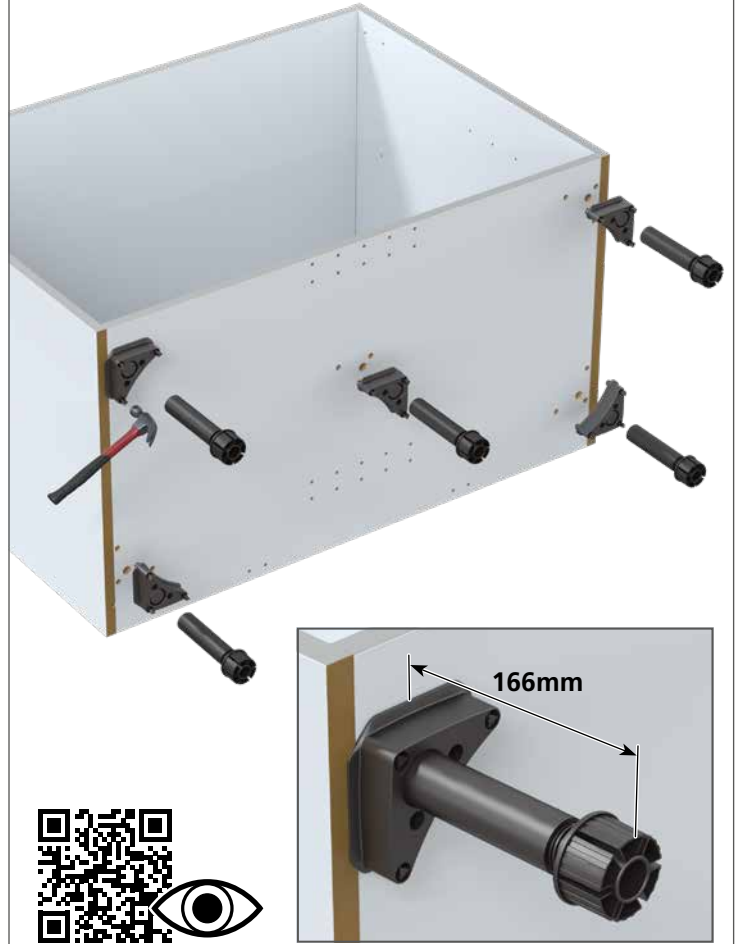
<p>x4 - Single cabinet x5 - Double cabinet 94403516 nickel 94403517 black</p>	<p>x1 - 92125900 Double cabinets</p>	<p>x2 - Per frontal 94405709</p>
<p>x2 - 94402803 x4 - 64356003 Ø4x16 RHD</p>	<p>94356602 Ø3.5x15</p>	<p>4 pack - 94401898 5 pack - 94401899</p>
<p>1 pack per door 94381720 hinge nickel 95410006 hinge plate nickel 95410000 hinge black 94381788 hinge plate black</p>	<p>x6 94356602 Ø3.5x15</p> <p>Blanking panel and corner post supplied separately</p>	

**Note:** Wall fixing screws are not supplied due to different wall types requiring different fixings.

## 1 Remove centre post from unit



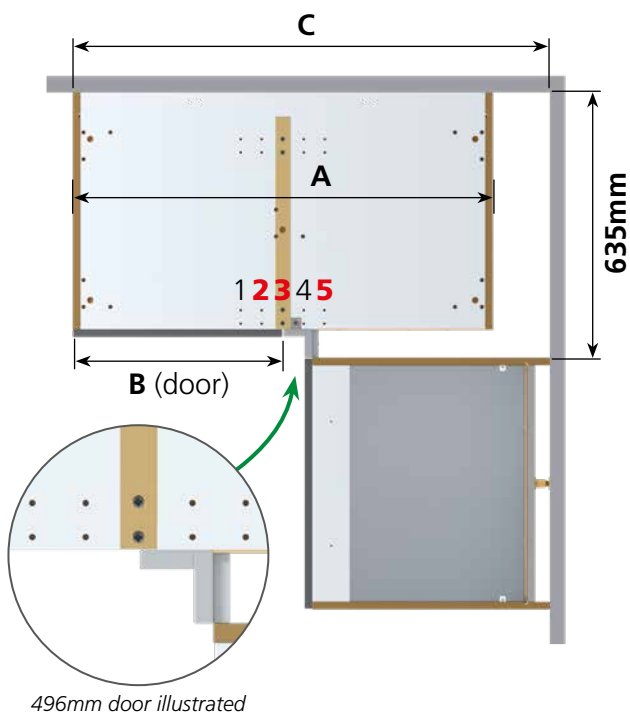
## 2 Fit leg



## 3a Left-hand centre post planning

A	B (door)	C	Position
1000mm	446mm	1085mm	2
1000mm	496mm	1135mm	3
1000mm	596mm	1235mm	5

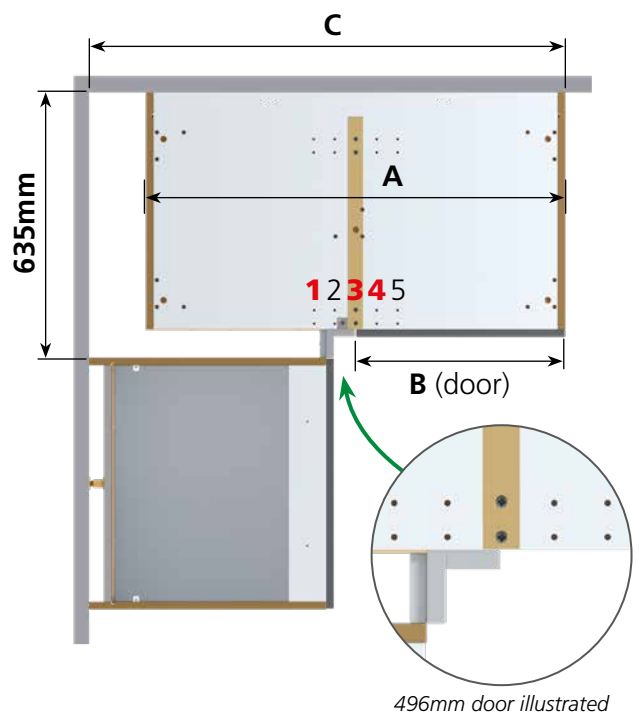
**IMPORTANT:** Centre post position dependant up on door width.



## 3b Right-hand centre post planning

A	B (door)	C	Position
1000mm	446mm	1085mm	4
1000mm	496mm	1135mm	3
1000mm	596mm	1235mm	1

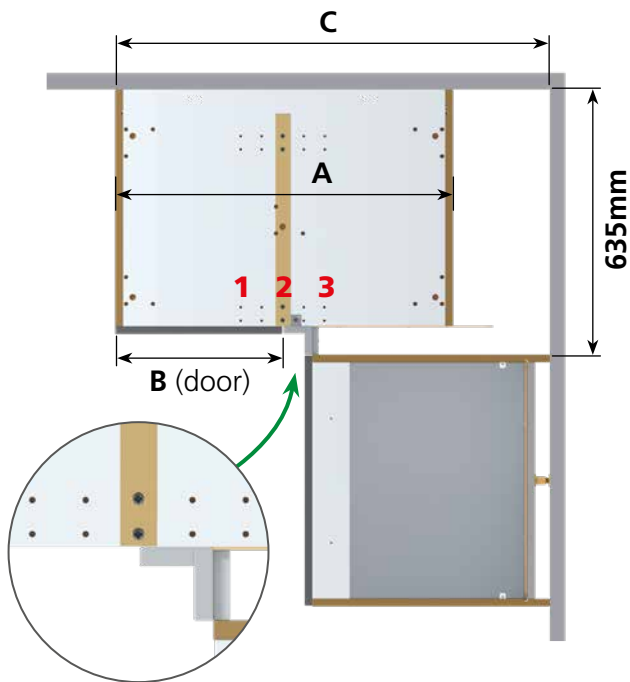
**IMPORTANT:** Centre post position dependant up on door width.



### 3c Left-hand centre post planning

A	B (door)	C	Position
800mm	296mm	835mm	1
800mm	396mm	935mm	2
800mm	496mm	1035mm	3

**IMPORTANT:** Centre post position dependant up on door width.

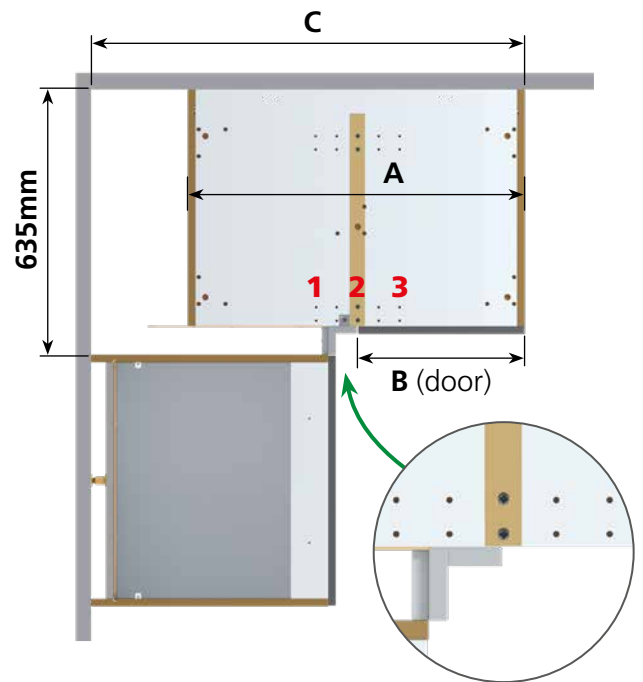


*396mm door illustrated*

### 3d Right-hand centre post planning

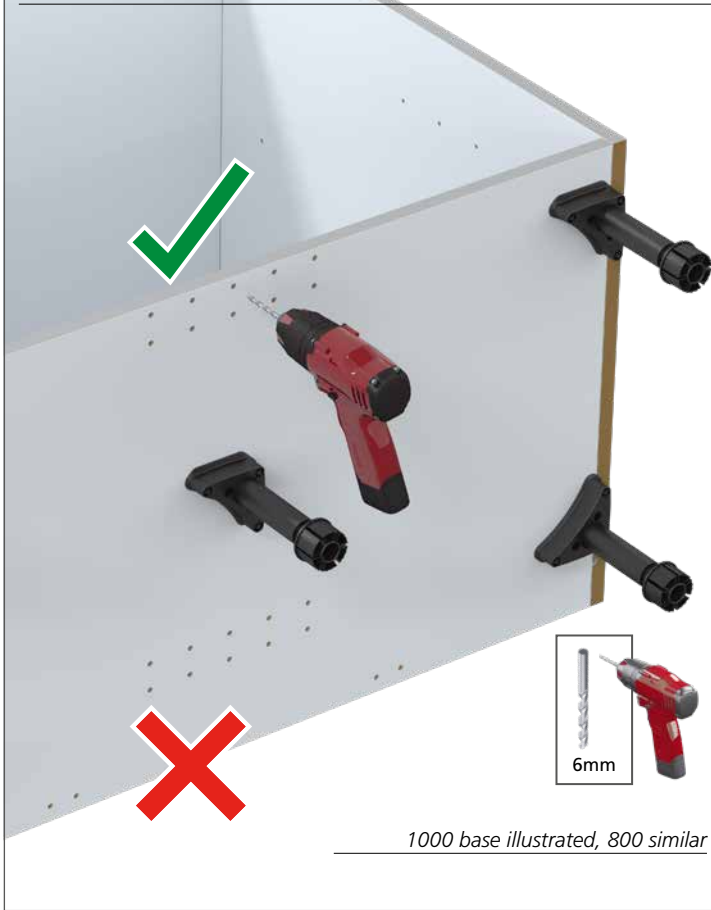
A	B (door)	C	Position
800mm	296mm	835mm	3
800mm	396mm	935mm	2
800mm	496mm	1035mm	1

**IMPORTANT:** Centre post position dependant up on door width.



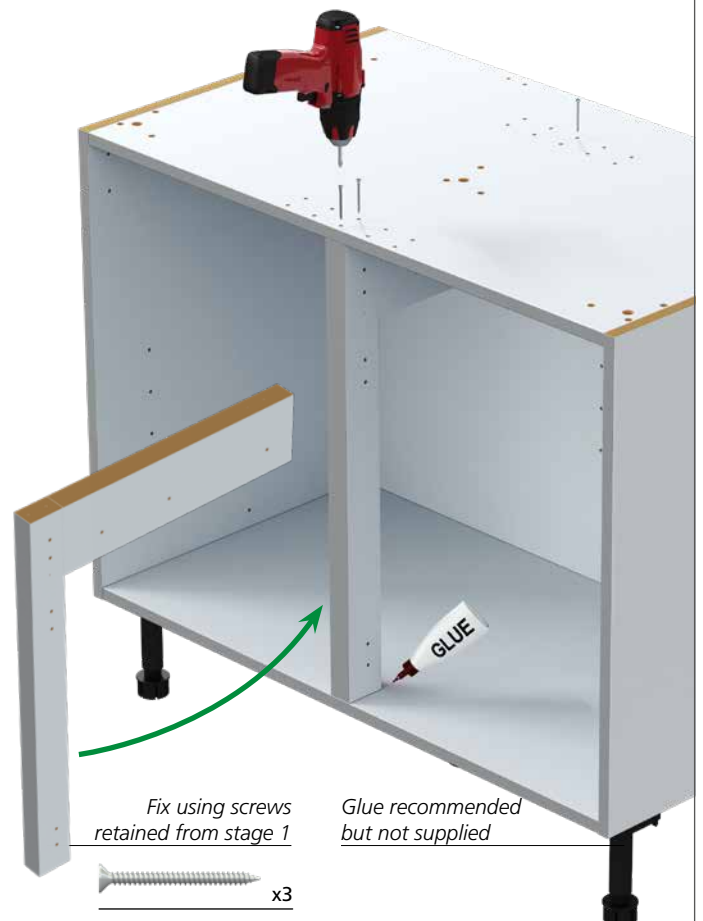
*396mm door illustrated*

### 4 Drill 6mm through corresponding holes in the base. Do not drill holes at rear of cabinet.



*1000 base illustrated, 800 similar*

### 5 Locate and fix centre post

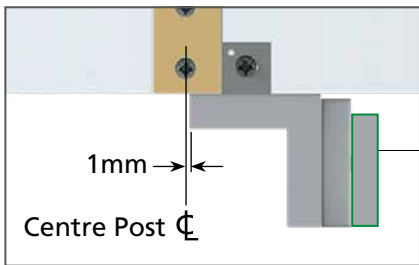


Fix using screws retained from stage 1

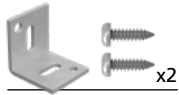
Glue recommended but not supplied

x3

## 6 Position and fix corner post



Where applicable  
recommend fixing a  
scrap piece for easier  
install at stage 8

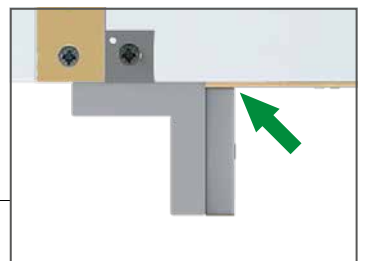


## 7 Fix the blanking panel



Insert blanking panel  
behind centre post  
and secure

x6 Ø3.5x15



## 8 Connect adjacent cabinet



## 9 Securing cabinets to wall (generic)

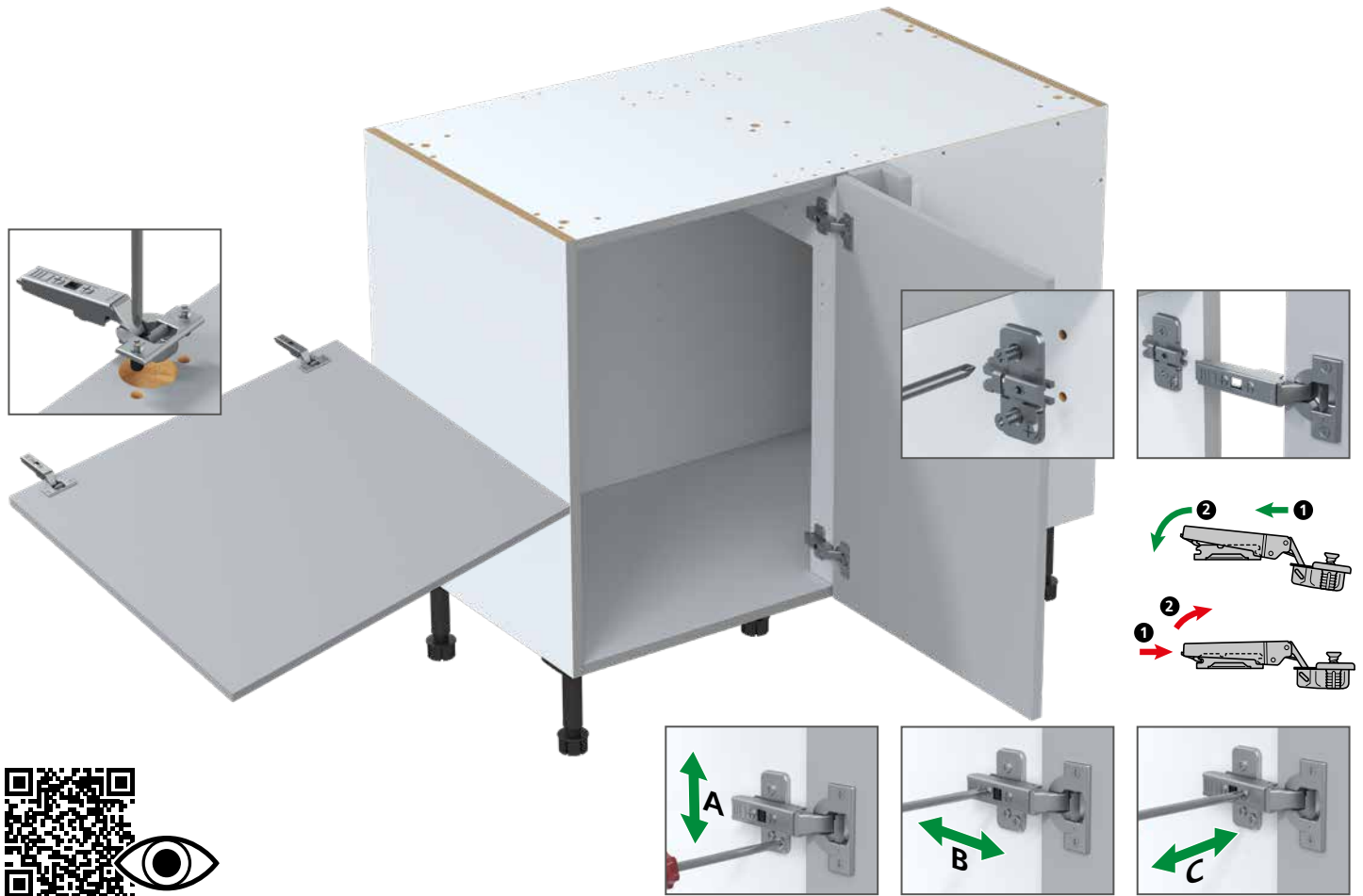


## 10 Connecting cabinets (generic)





## 11 Door and hinge adjustment



## 12 Fitting shelf and door buffers

