

635 'L' Shaped Corner Wall Cabinet

MAI00011 R0



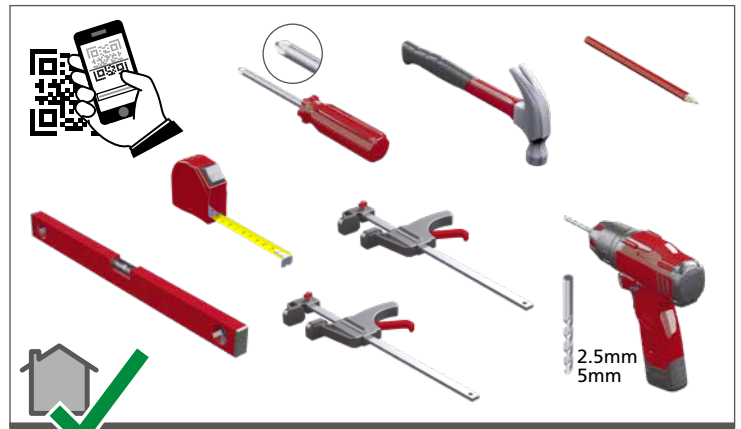
Please read these instructions carefully before proceeding.
This instruction is used in conjunction with the Installation Guide.

Important: Installation shall be carried out exactly according to the manufacturer's instructions otherwise a safety risk can occur if incorrectly installed.

Warning: In order to prevent cabinets overturning or falling down they must be used with the wall attachment device/s provided. Before fixing any cabinets to the wall, ensure the wall construction is capable of taking the weight of the loaded cabinet and that appropriate fixings are used. If in doubt, consult an expert.

Note: Wall fixing screws are not supplied due to different wall types requiring different fixings.

Caution: Some small pieces of hardware could be hazardous to small children. Keep all these items out of reach and do not leave children unattended in the assembly area.



How the cabinet is supplied.

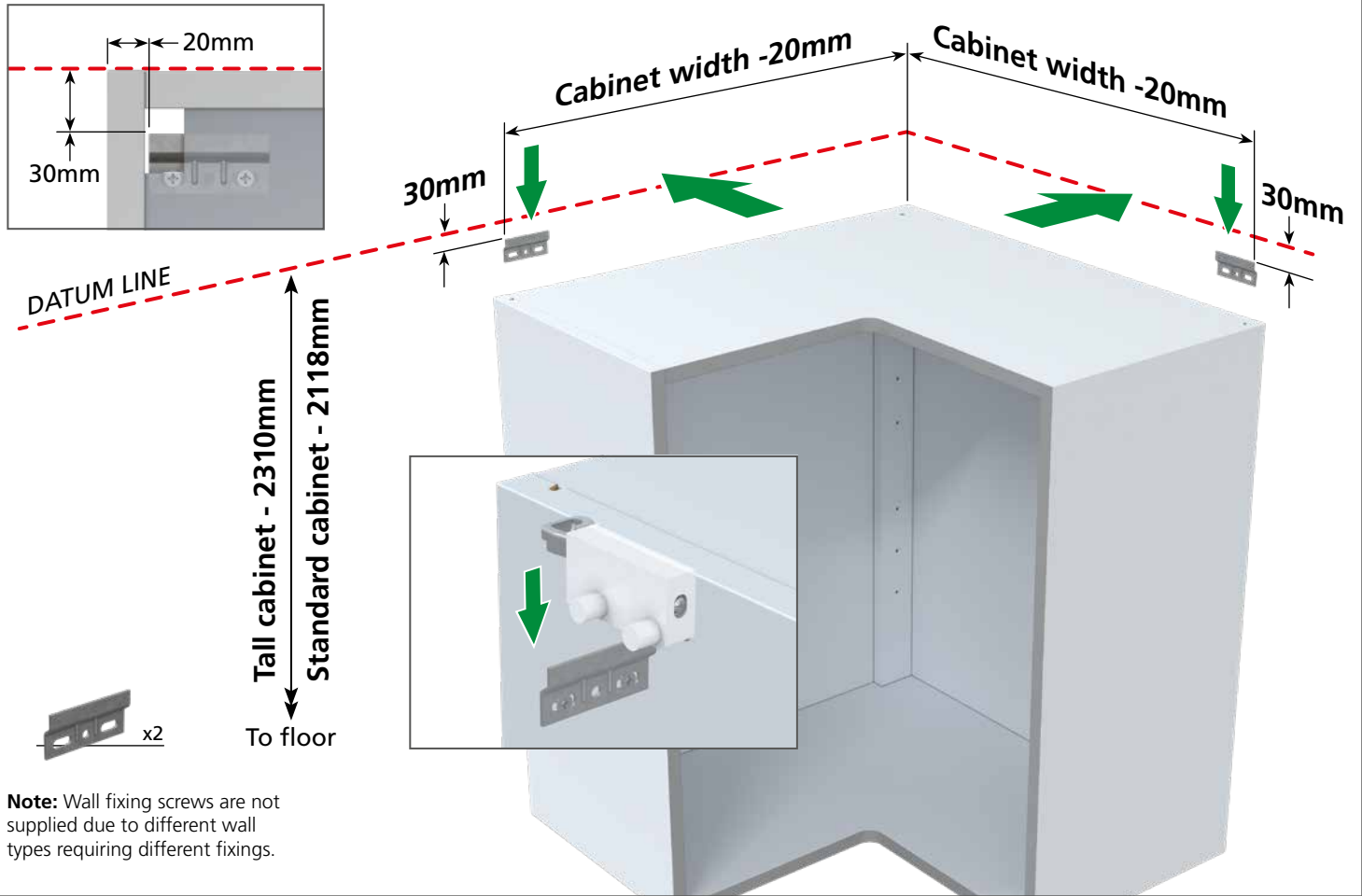


Remove transit clips and shelves before assembly.

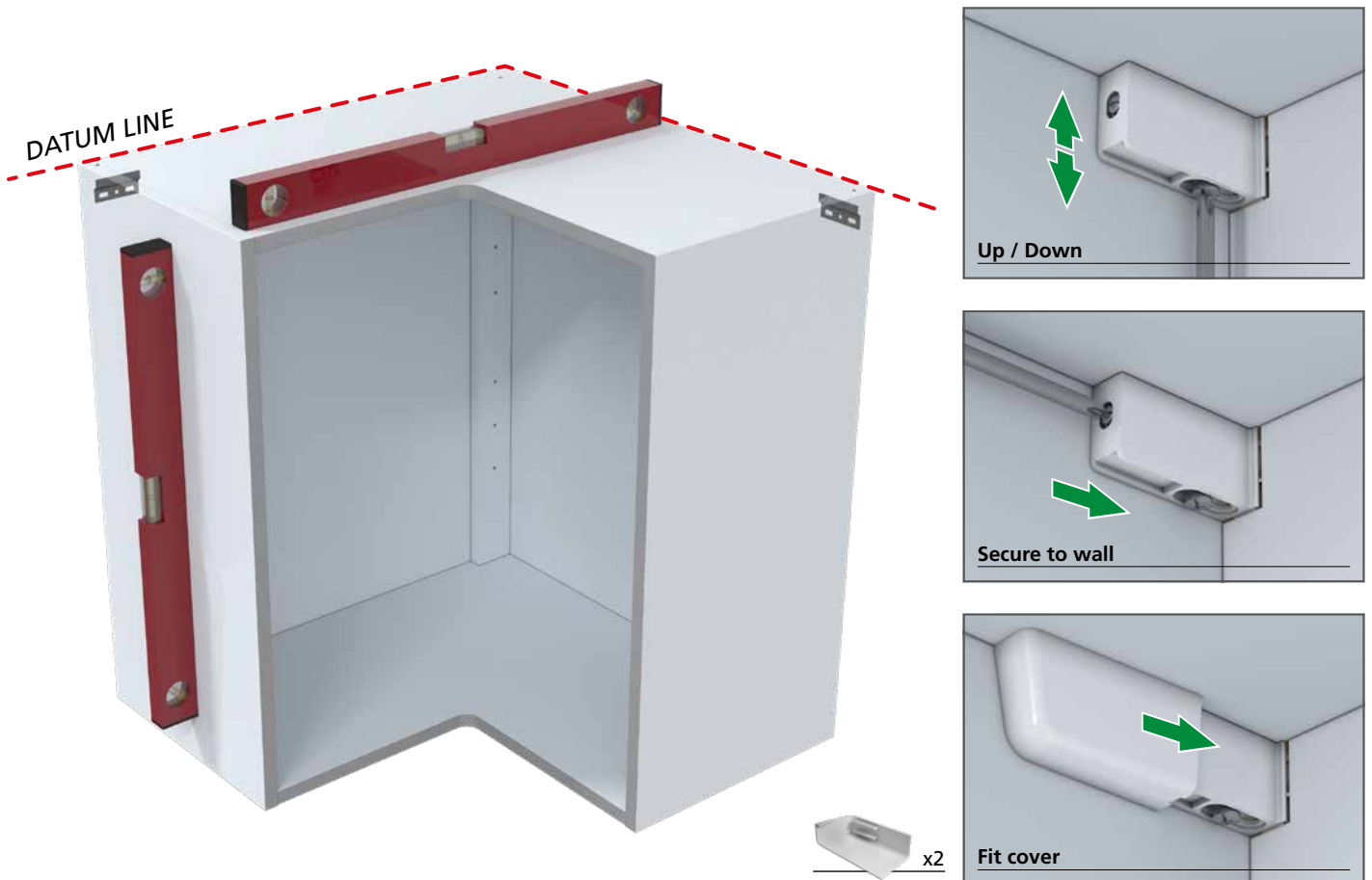


 x10 - Single cabinet 94403516 nickel 94403517 black	 x4 - 92125900	 x2 - Per frontal 94405709
 x2 - 94402708	 LH white - 95500016 RH white - 95500017 LH grey - 95500018 RH grey - 95500019	 x2 x4 - 64356003 Ø4x16 RHD
 1 pack per door 21313508 hinge nickel 95410006 hinge plate nickel 95410001 hinge black 94381788 hinge plate black	 x4 94408208 Ø6x40	 x4 94406704 Ø6mm spacer Glue 94412005

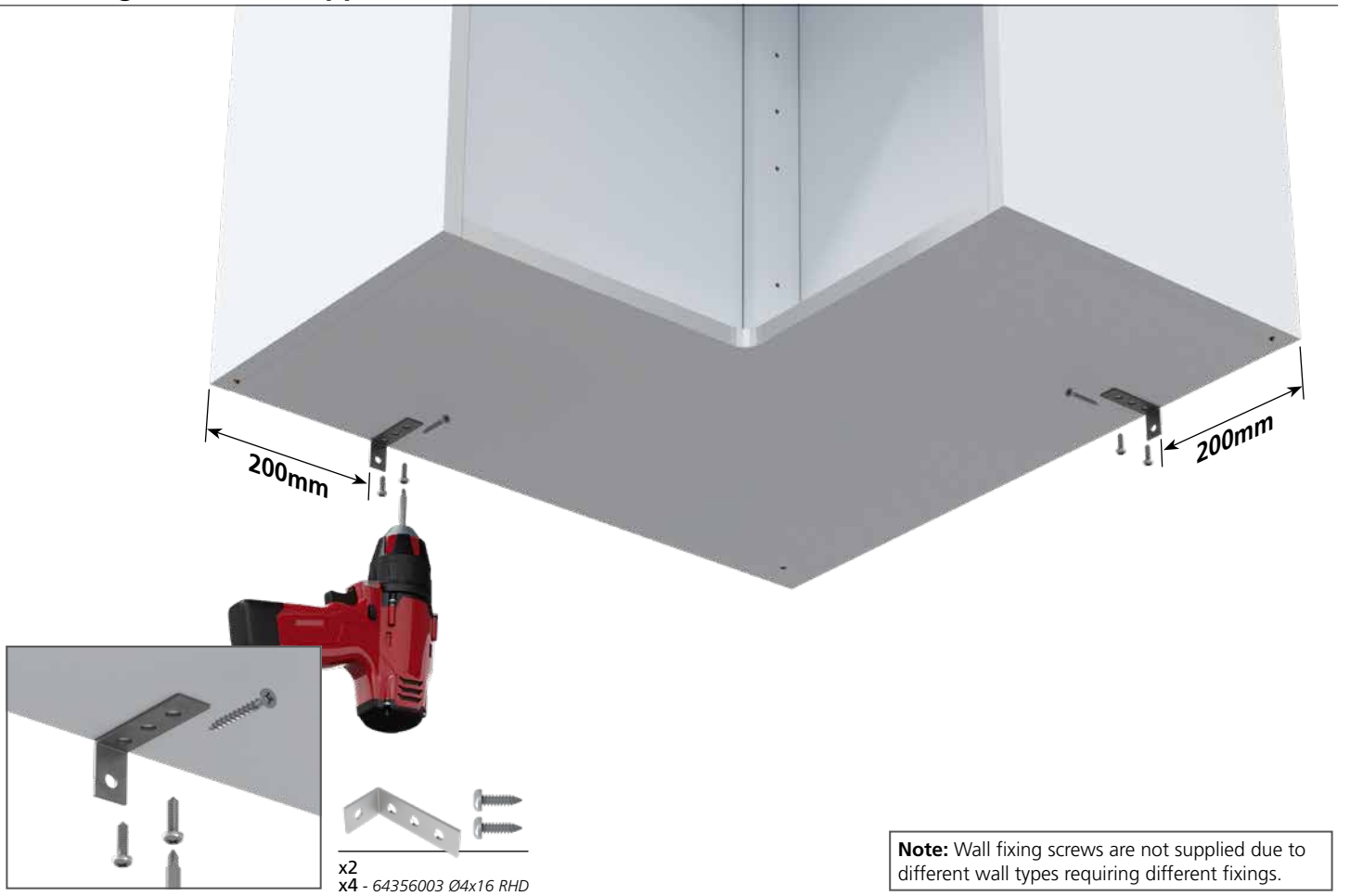
1 Hanging the wall cabinet



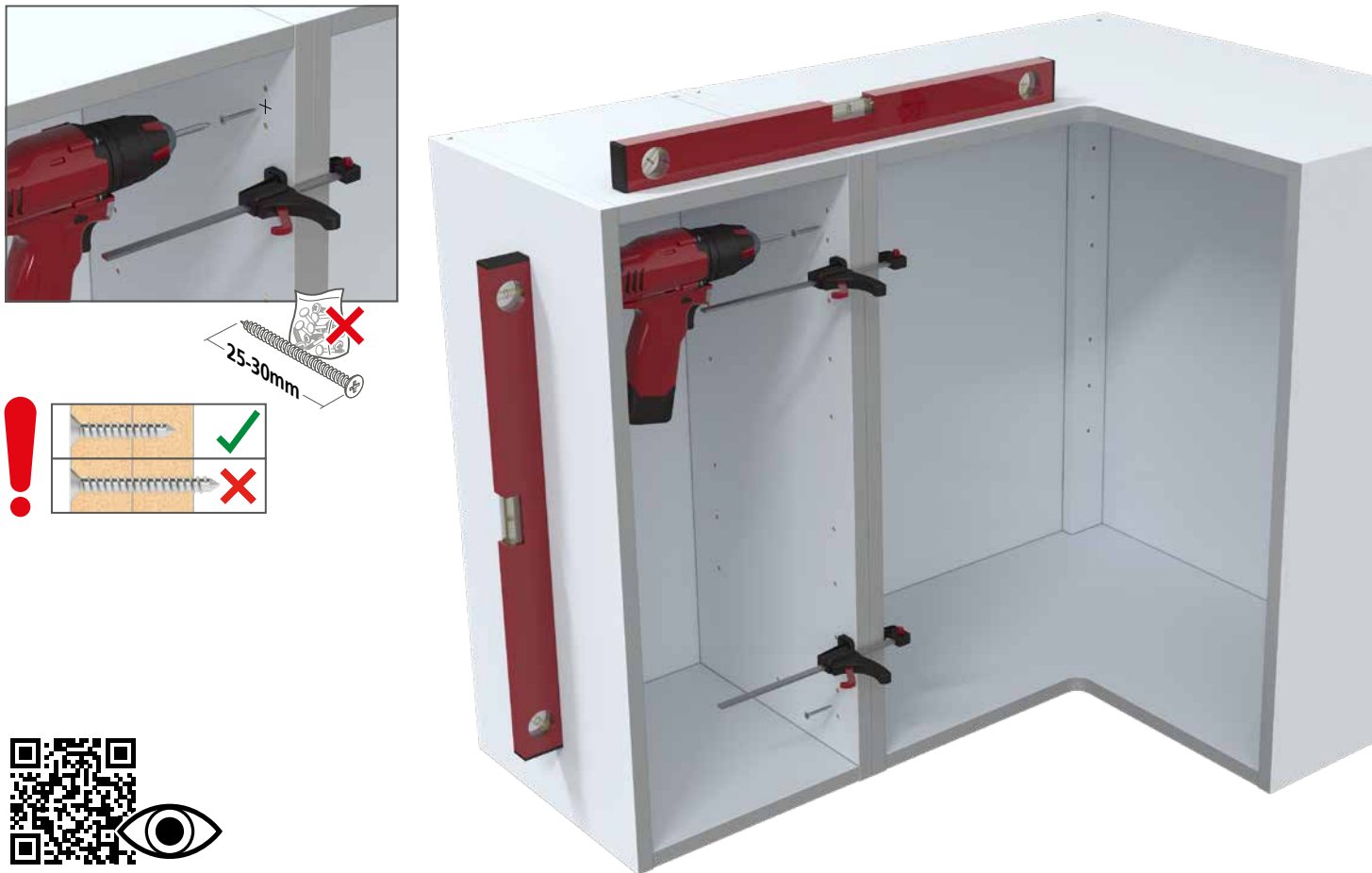
2 Adjusting the wall cabinet to the DATUM LINE



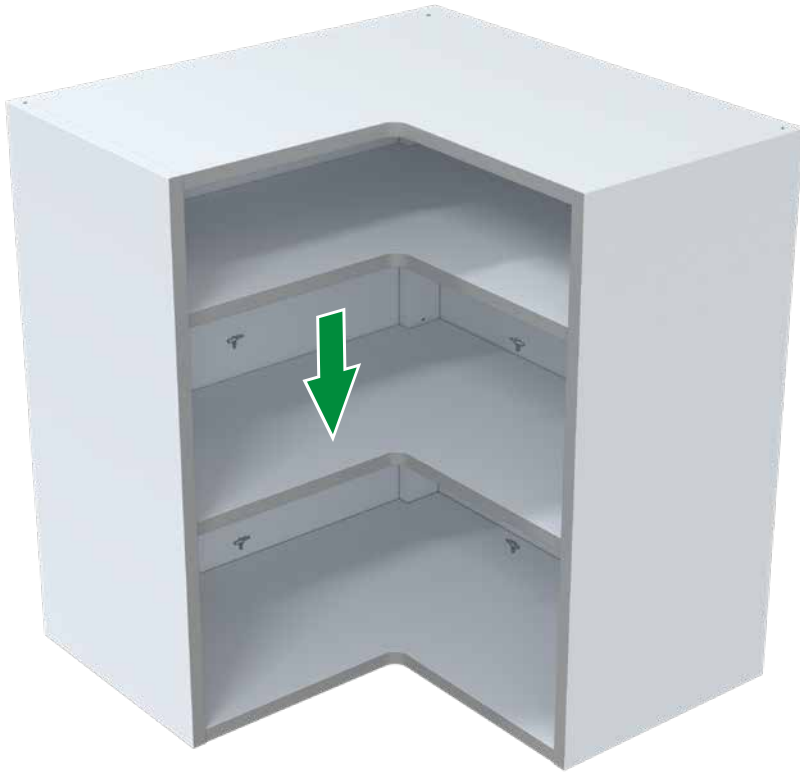
3 Adding additional support brackets



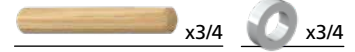
4 Connecting cabinets



5 Fitting shelves



6 Door corner post



Standard Wall - x3
Tall Wall - x4

7 Door and hinge adjustment

