

# Standard Bin and Laundry Bin Cabinets

MAI00020 RO



INSTALLATION GUIDE

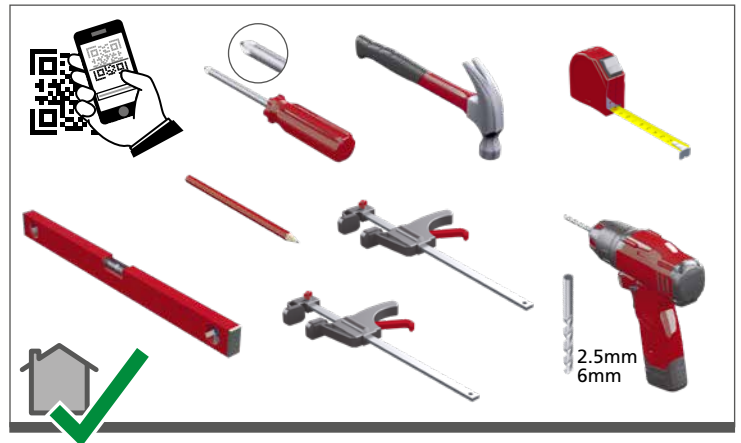
**Please read these instructions carefully before proceeding.**  
 This instruction is used in conjunction with the Installation Guide.

**Important:** Installation shall be carried out exactly according to the manufacturer's instructions otherwise a safety risk can occur if incorrectly installed.

**Warning:** In order to prevent cabinets overturning or falling down they must be used with the wall attachment device/s provided. Before fixing any cabinets to the wall, ensure the wall construction is capable of taking the weight of the loaded cabinet and that appropriate fixings are used. If in doubt, consult an expert.

**Note:** Wall fixing screws are not supplied due to different wall types requiring different fixings.

**Caution:** Some small pieces of hardware could be hazardous to small children. Keep all these items out of reach and do not leave children unattended in the assembly area.



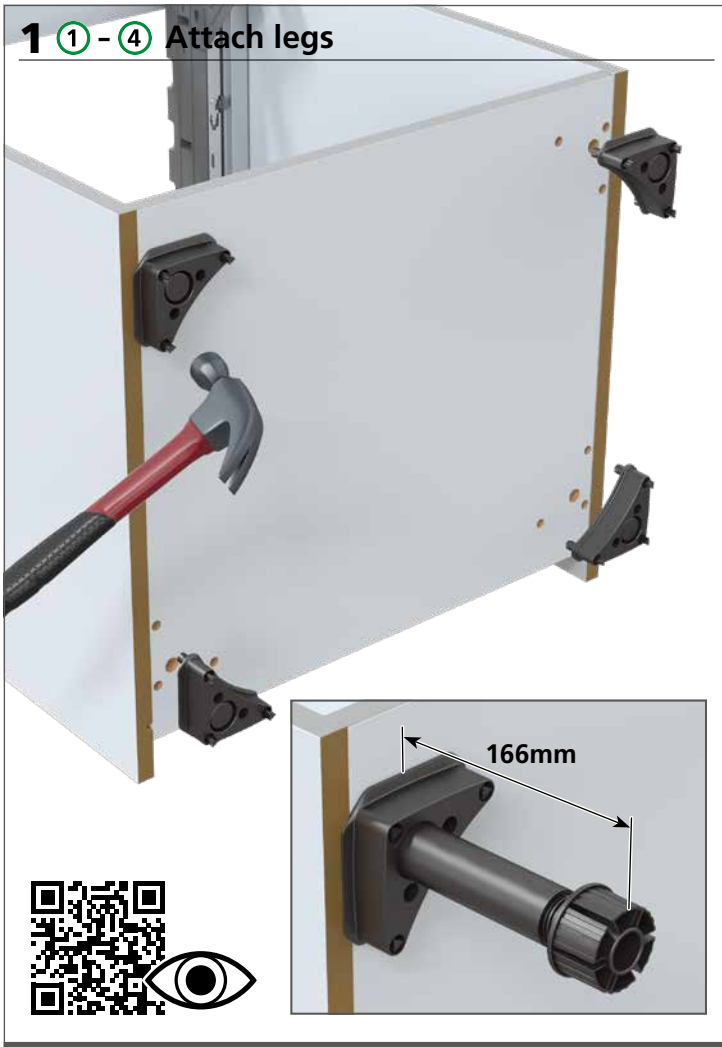
## How the cabinet is supplied.

**Standard Bin,**  
 (600mm bin illustrated,  
 others similar)

- x1 - 92119701
- x2 - 94405304
- x2 - Per frontal 94405709
- x2 - 94406905 Ø6x16 EURO
- 4 pack - 94401898
- 5 pack - 94401899
- 94356602 Ø3.5x15
- x2 - 94406413
- x6/8 - 64356003 Ø4x16 RHD
- Frontal pack supplied separately
- 450 / 500 bin x2
- 600 bin x2
- Laundry bin x1 + bin retainer

**Note:** Wall fixing screws are not supplied due to different wall types requiring different fixings.

### 1 ① - ④ Attach legs



### 2 ① - ④ Insert worktop blocks



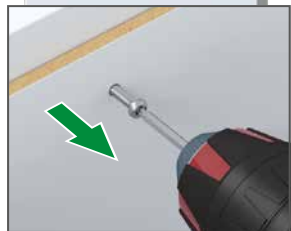
### 3 ① - ④ Secure to wall



### 4 ① - ④ Connecting cabinets



**5** ① - ④ Remove back panel if access is required



**6** ① - ④ Add additional runner fixing screws



x2 - 94406905  
Ø6x16 EURO  
Add an additional screw to each runner.

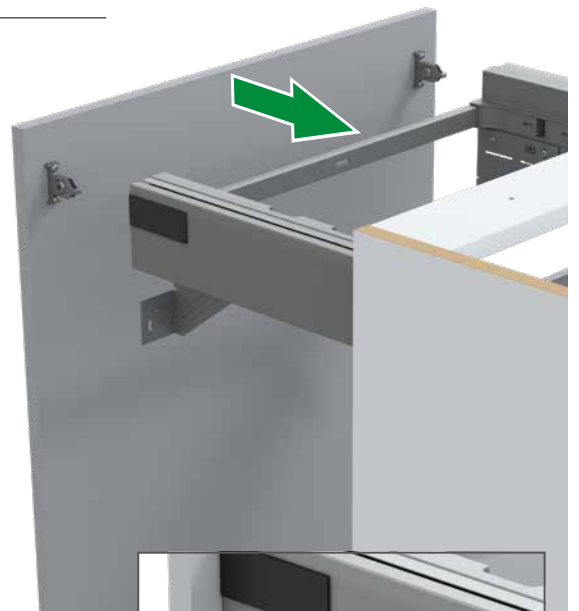
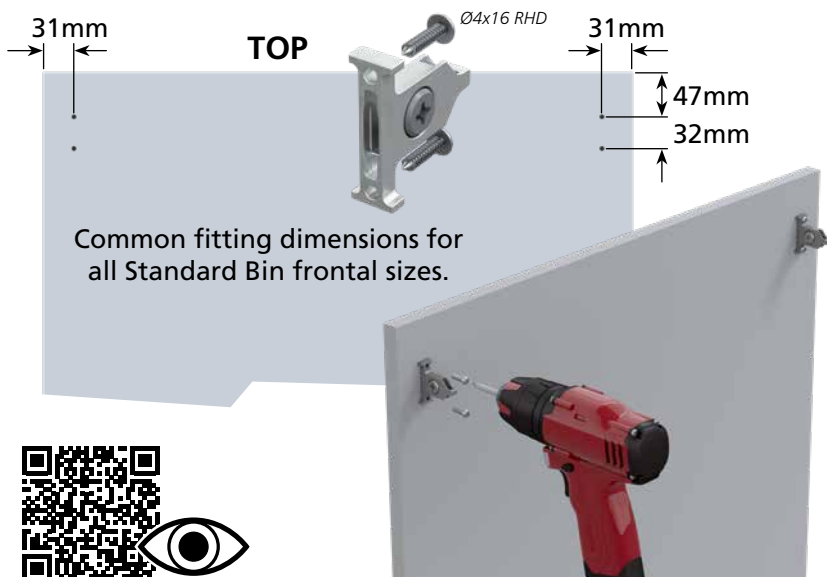
**7** ① - ④ Centralise bin drawer, (if stiff)



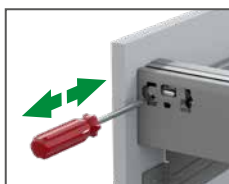
1. Loosen screws by half a turn, slide the bin drawer back in to centralise.
2. Re-tighten screws.

**8** ① - ③ Attach frontal - Standard Bins

1. Attach frontal brackets



2. Make frontal adjustment and secure



Frontal adjustment



Remove frontal



Fit cover



Secure frontal



Secure frontal

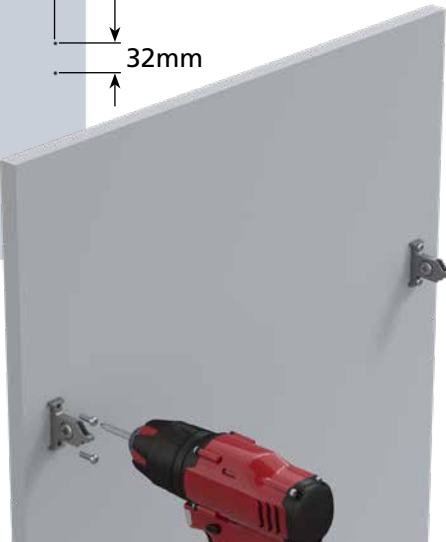
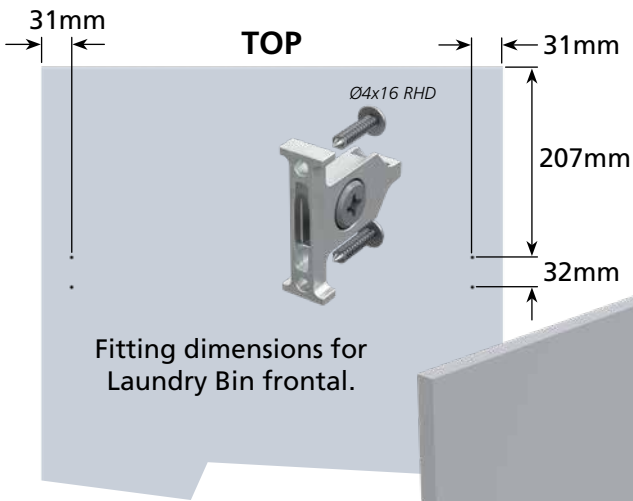
x2 Ø4x16 RHD

## 9 ④ Attach frontal - Laundry Bin

1. Locate bin retainer



2. Attach frontal brackets



3. Make frontal adjustment and secure



Frontal adjustment



Remove frontal



Fit cover



Secure frontal

x4 Ø4x16 RHD

## 10 ① - ④ Insert Standard Bins / Laundry Bin



450/500mm Standard Bin



600mm Standard Bin



500mm Laundry Bin