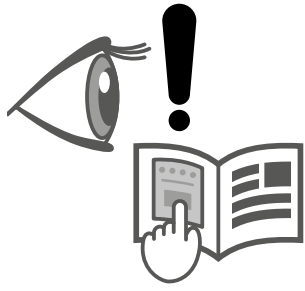
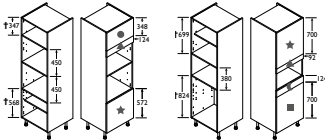


Oven/Combi Unit - 2118mm Standard Housing

This cabinet has a 41mm ventilation gap at the rear. Refer to appliance instructions for further specific ventilation requirements.

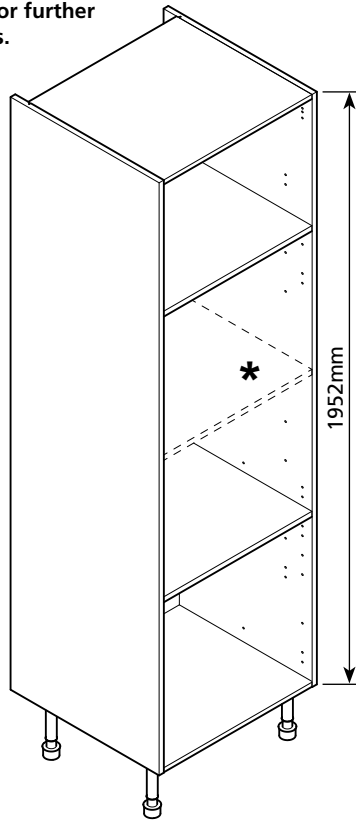


Section 22 lists all housing type configurations.

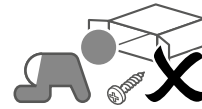


Animation & online instructions

* An additional shelf pack is supplied separately for units with more than one appliance. Position this shelf using an additional supplied metal bearer pack to minimise the gap between appliances or to line through with adjacent appliances.

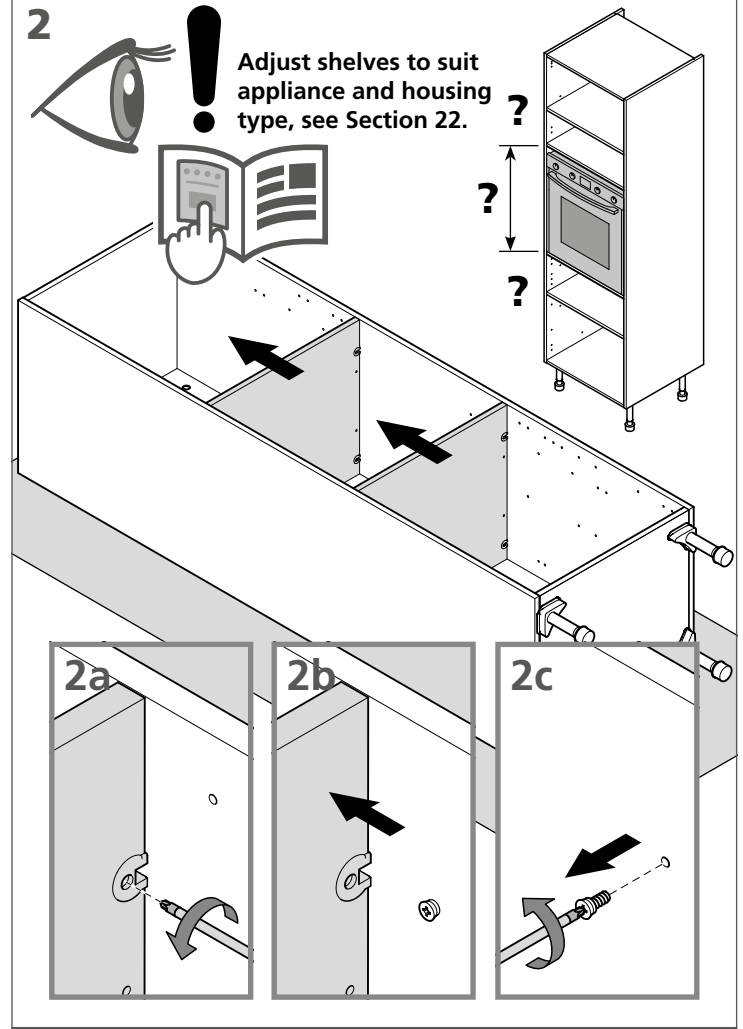
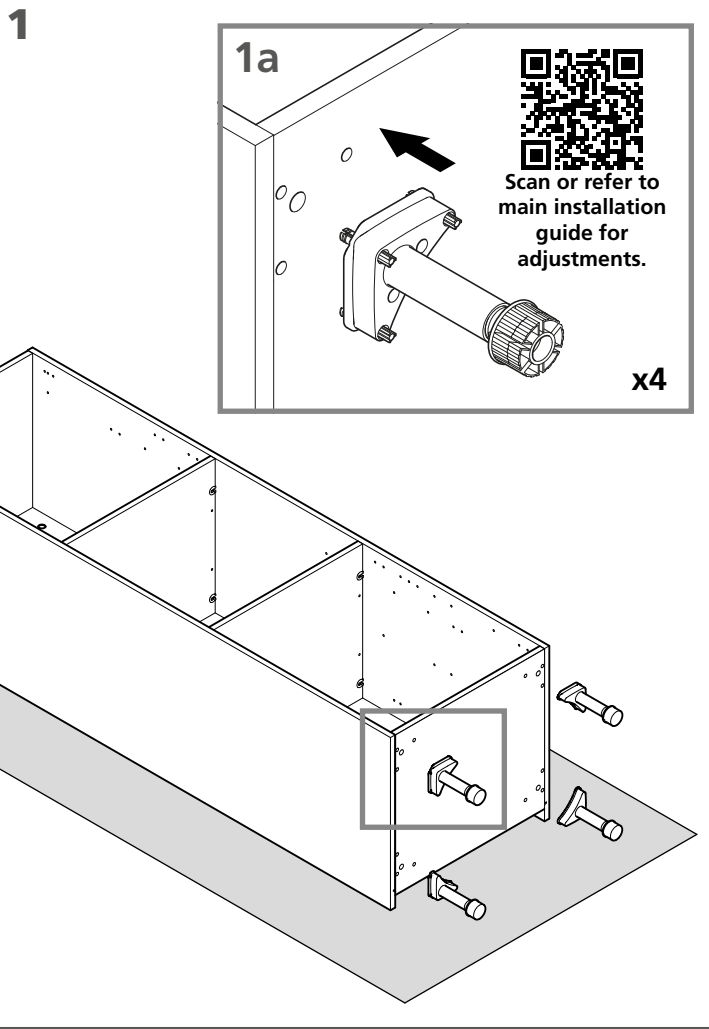
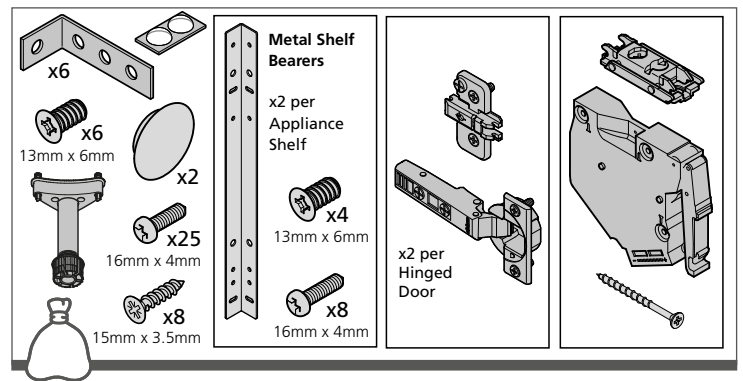
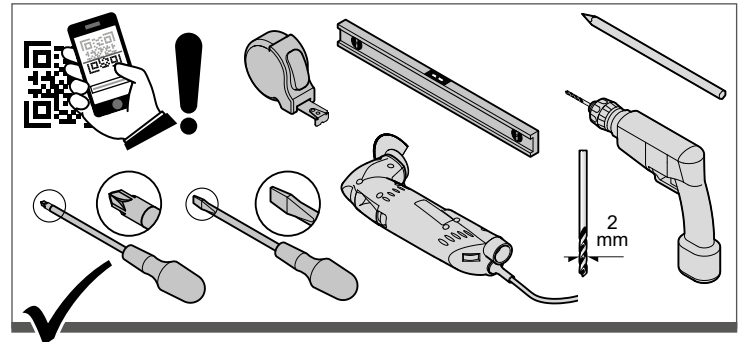


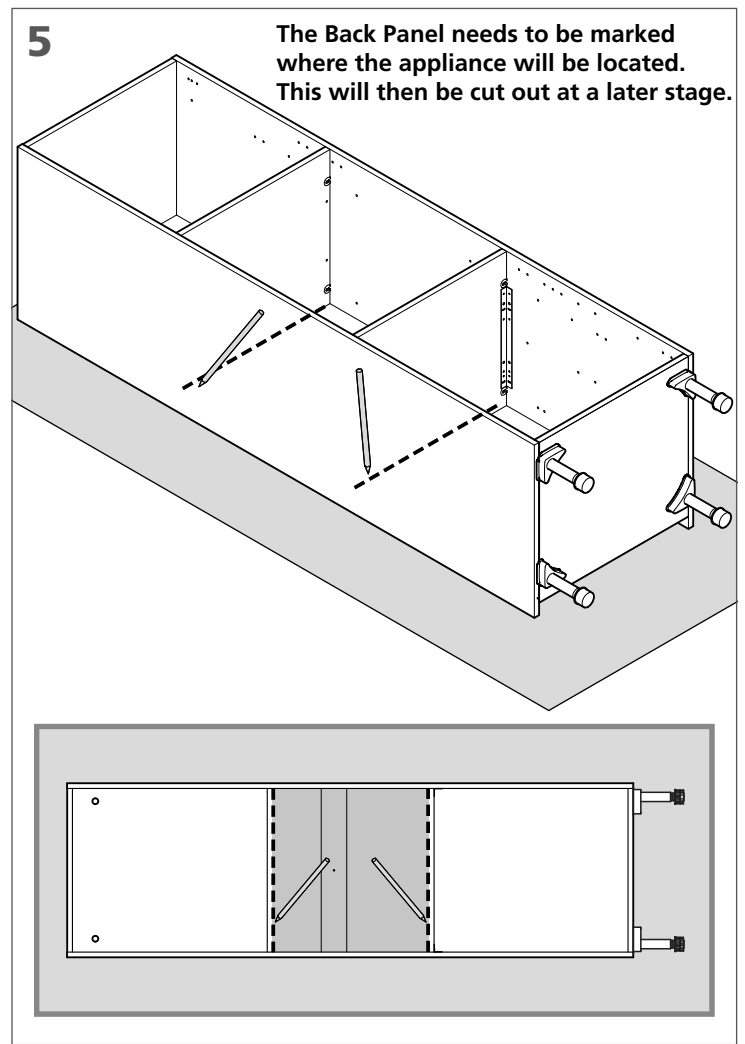
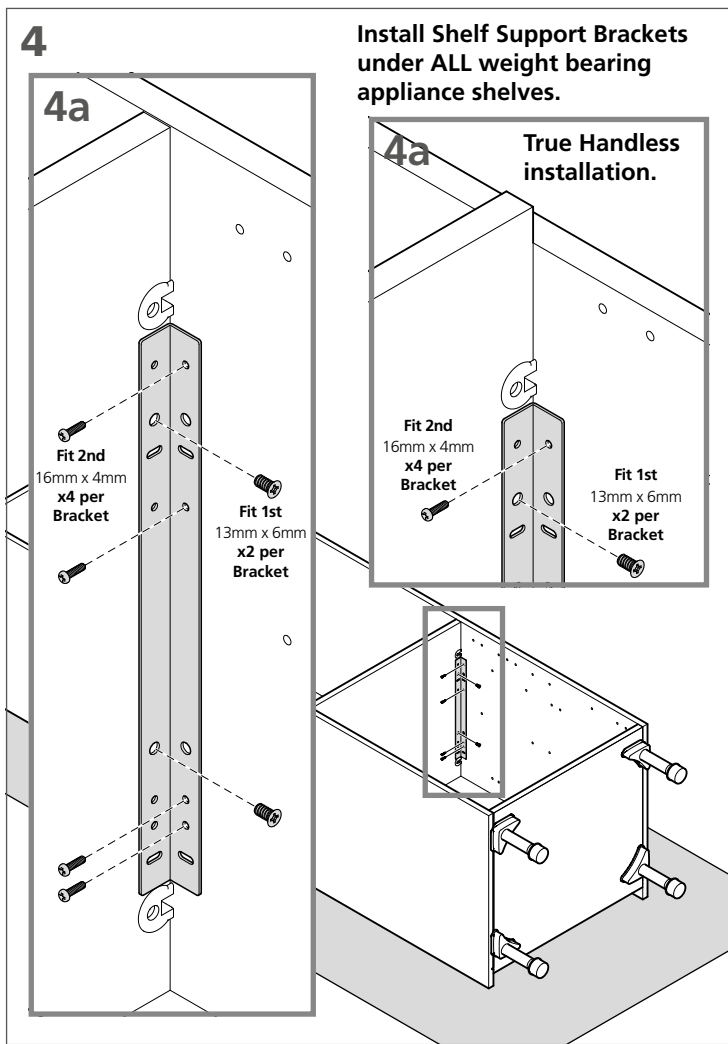
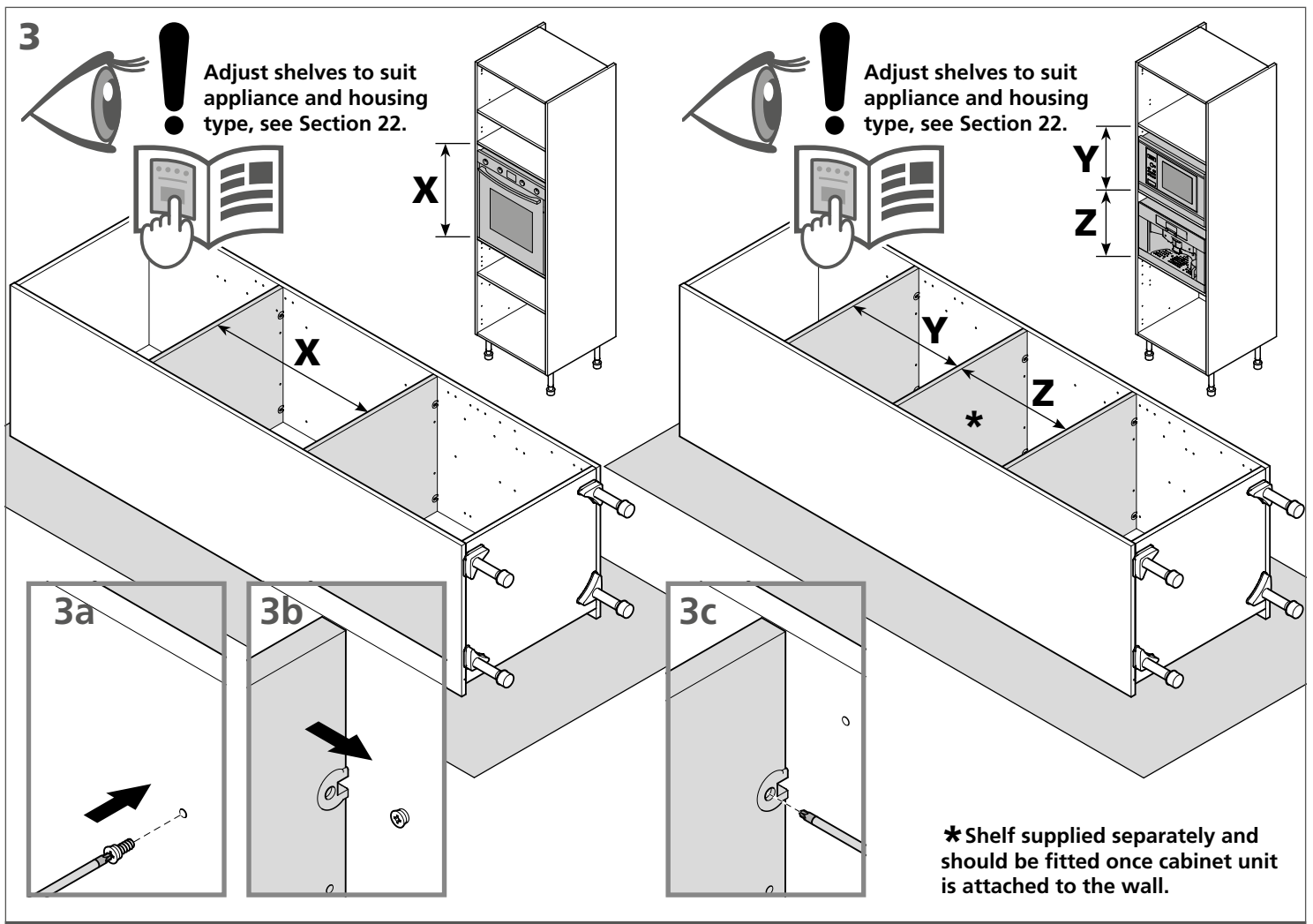
94443788_0923

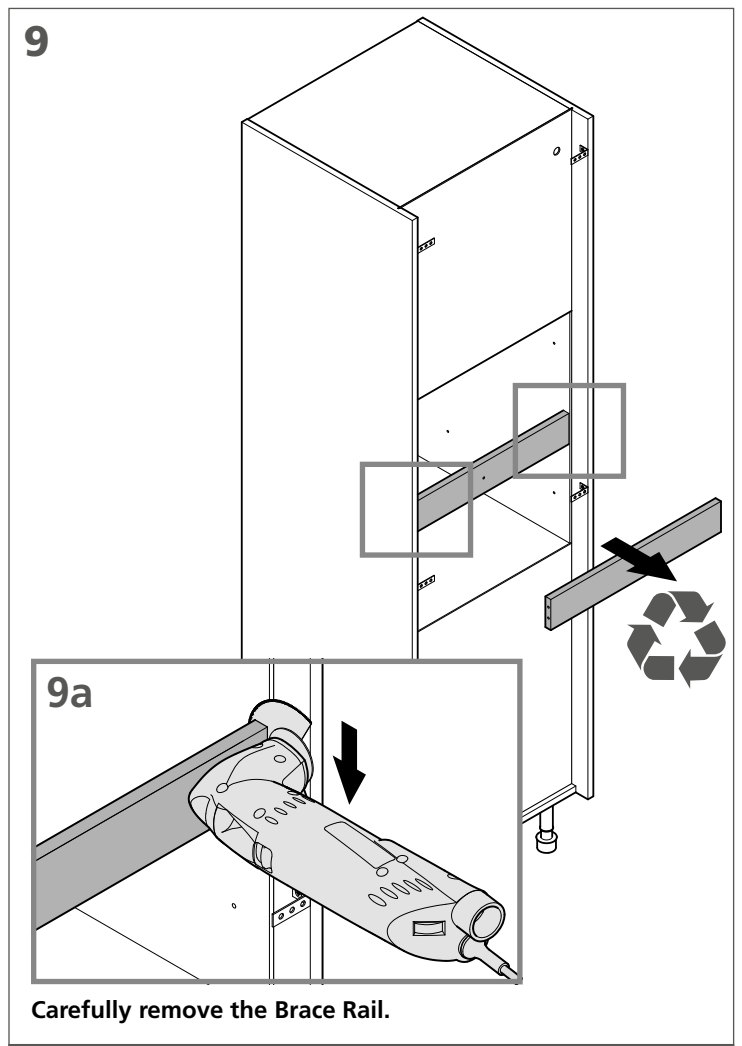
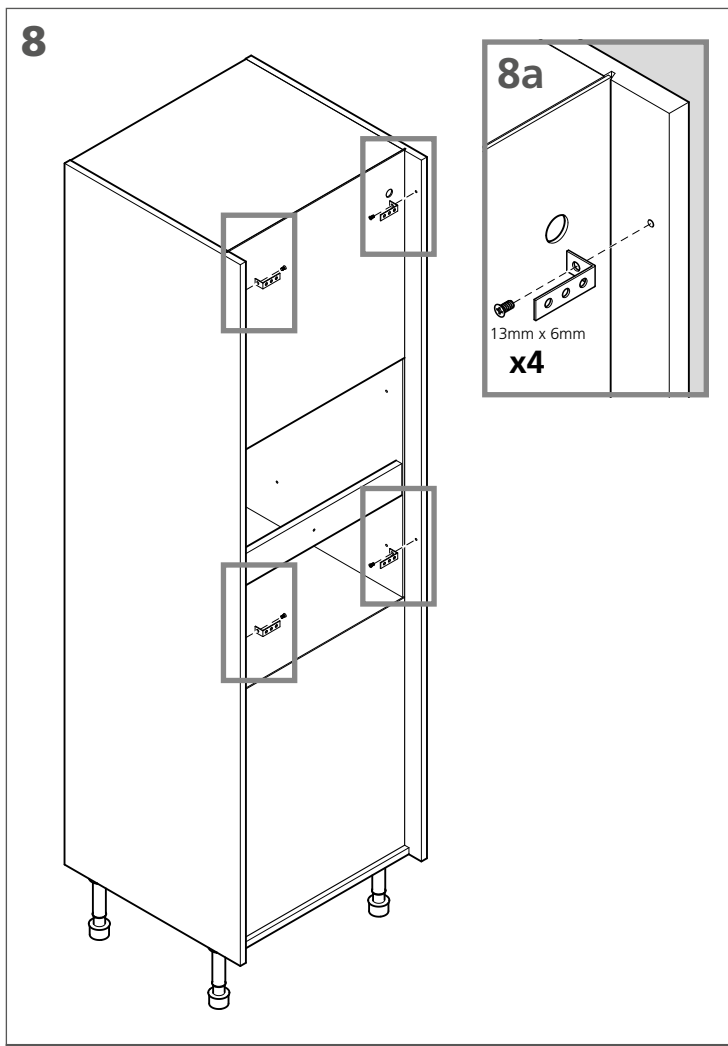
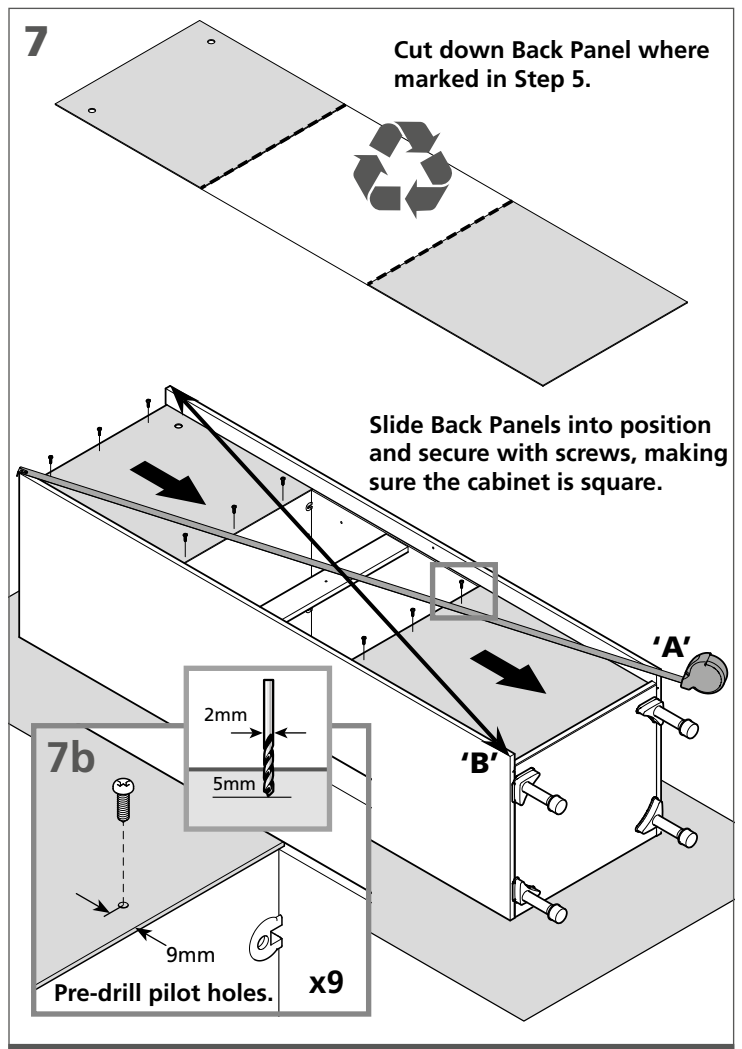
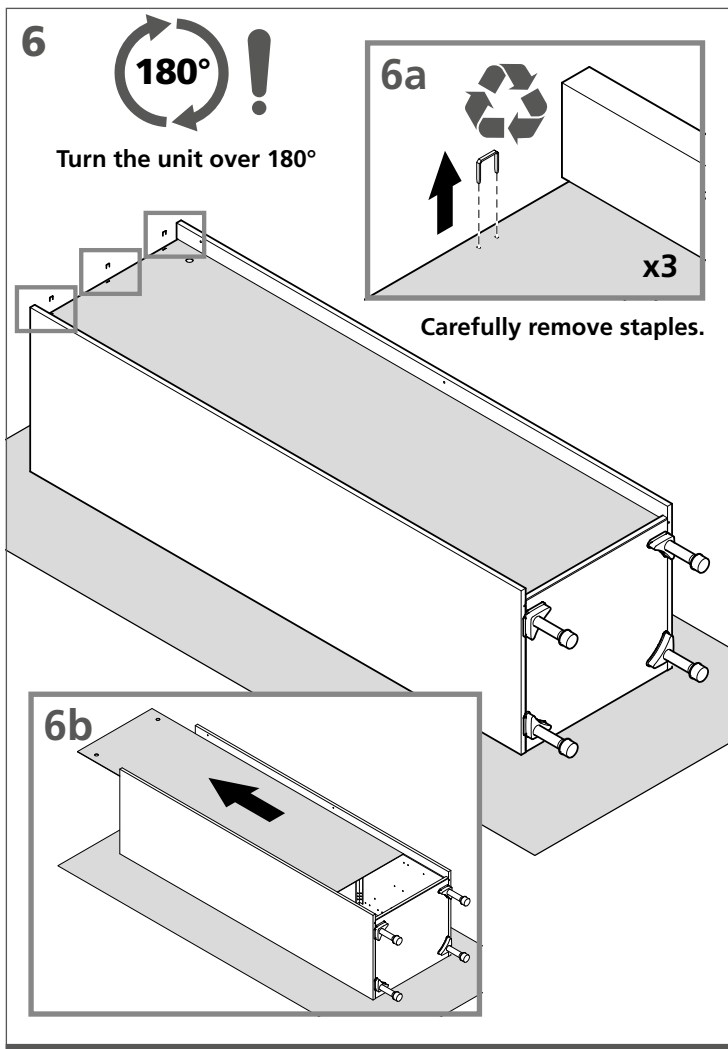


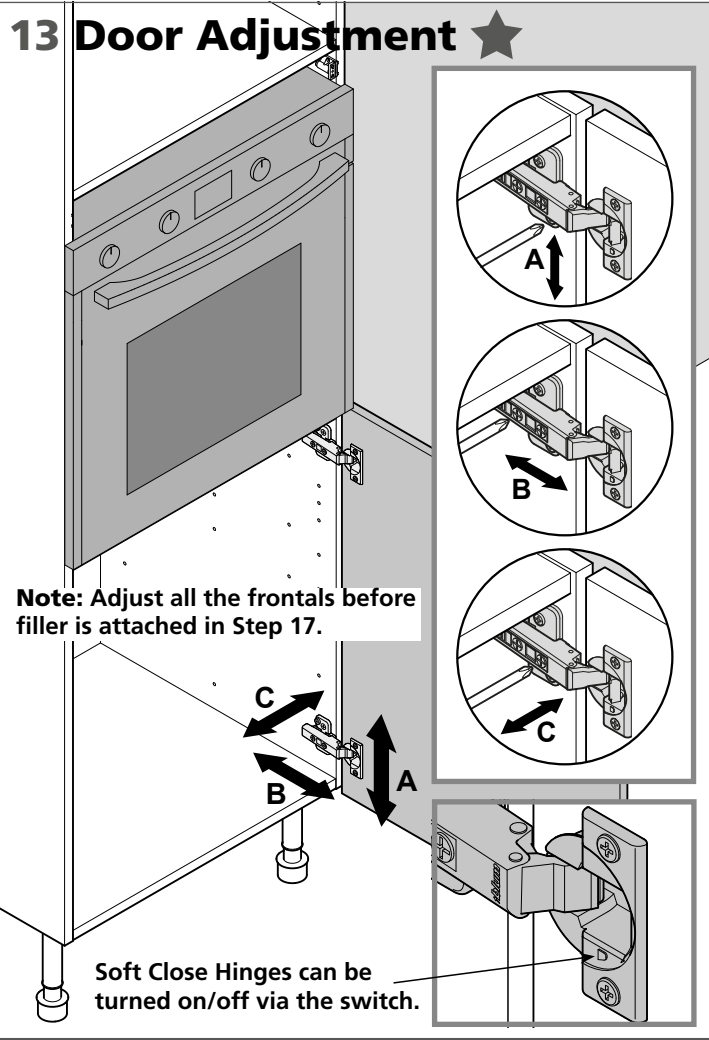
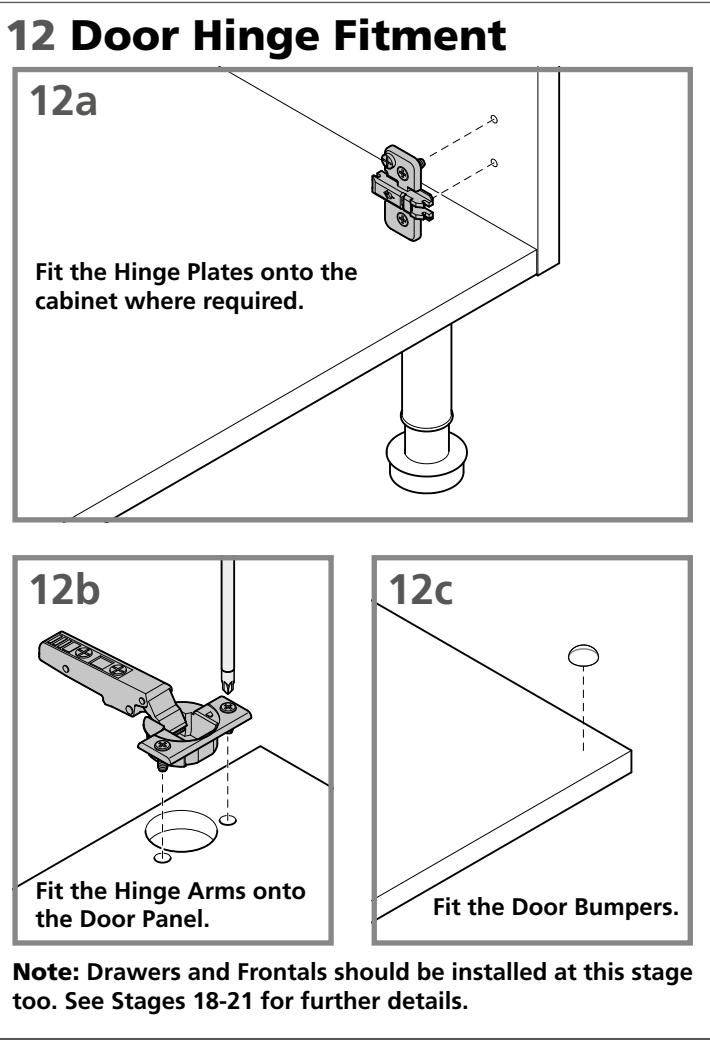
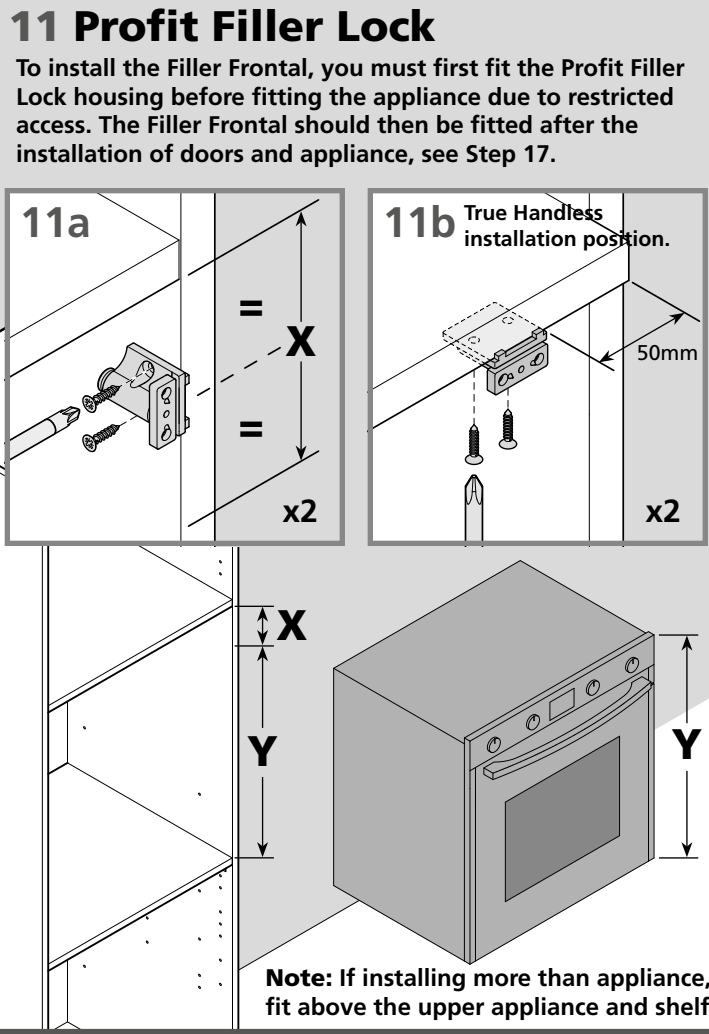
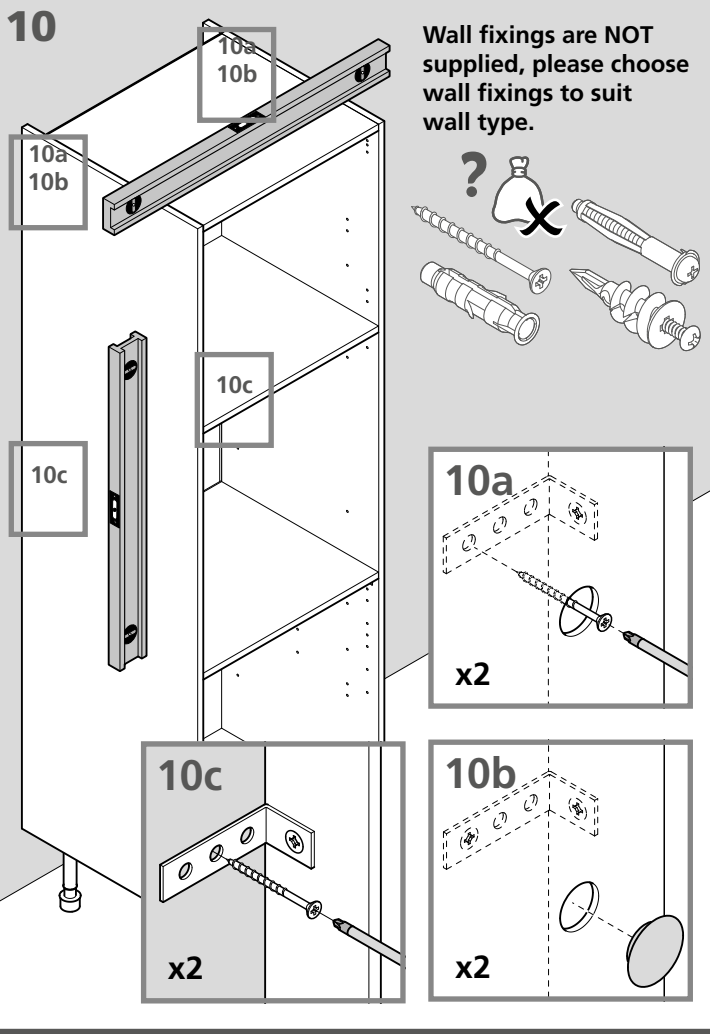
Important: Installation shall be carried out exactly according to manufacturer's instructions otherwise a safety risk can occur if incorrectly installed; a warning shall be given to the consumer to notify them of related risks.

Warning: For floor standing units intended to be attached to the building: **WARNING** In order to prevent overturning this product must be used with the wall brackets provided.

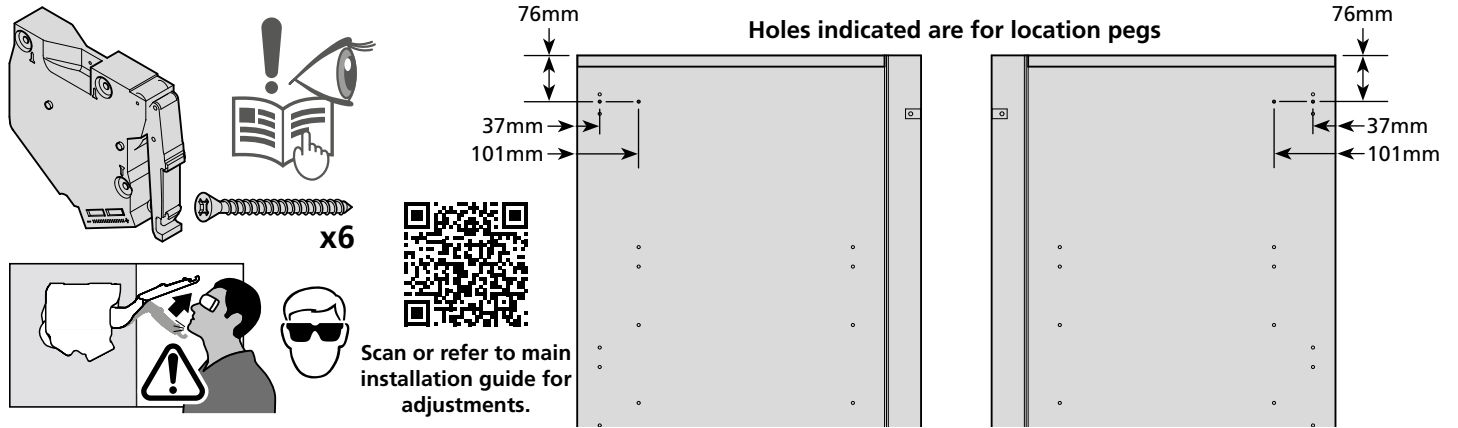




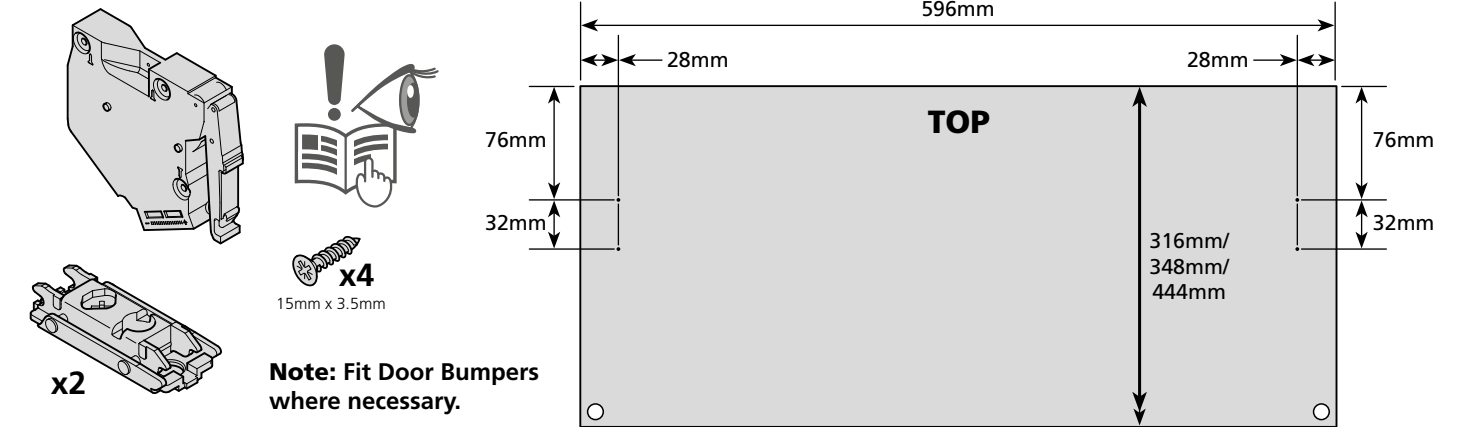




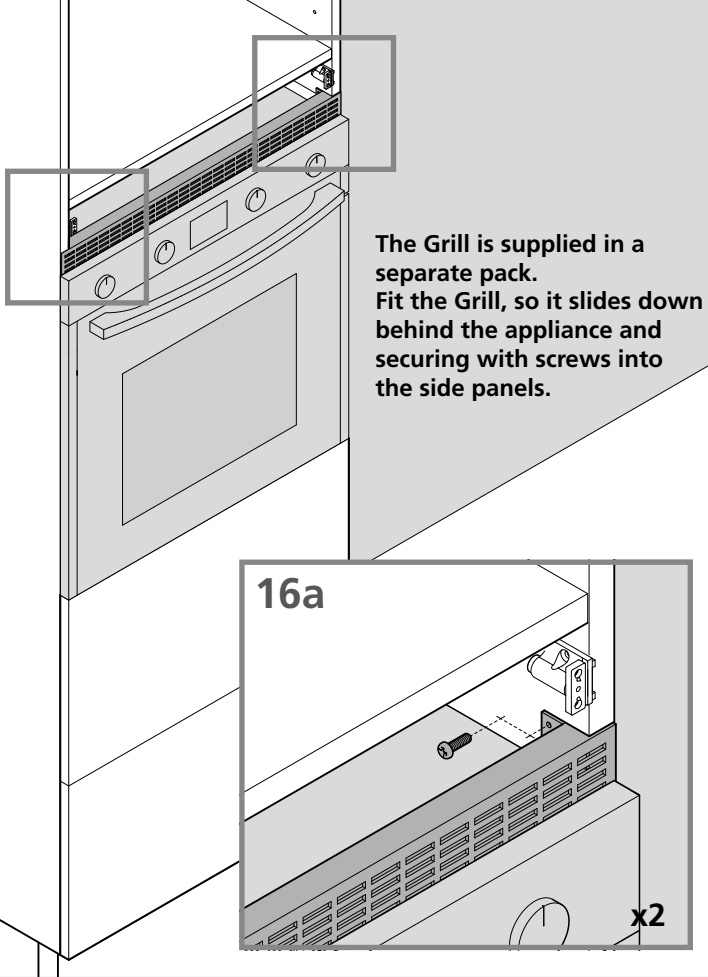
14 Flap Frontal and Hinge



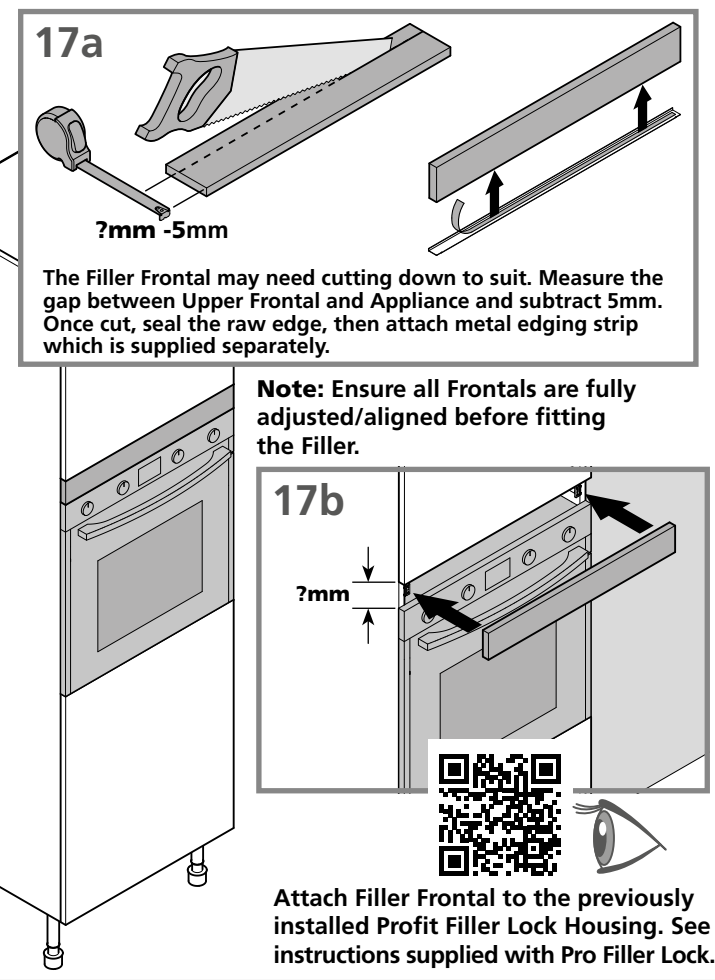
15 Flap Frontal and Hinge



16 Appliance Grill Fitting

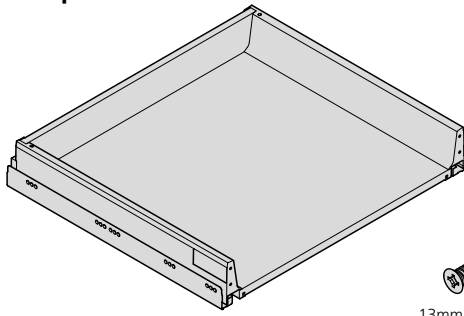


17 Filler Frontal/Profit



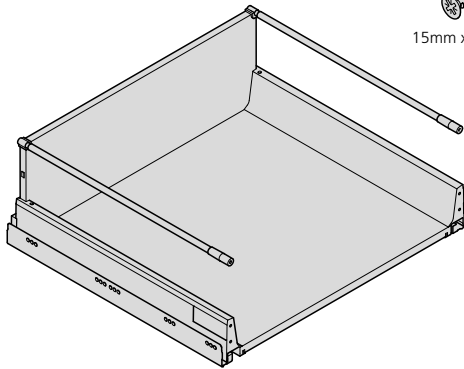
18 Blumotion Drawer Types & Runner Screw Fixing

Blumotion Top Drawer Box

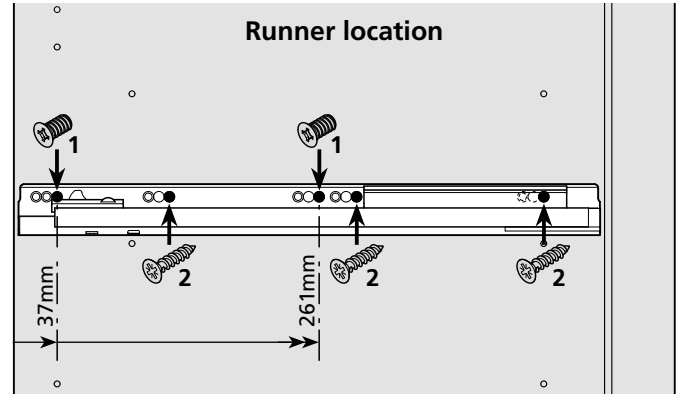


1
13mm x 6mm

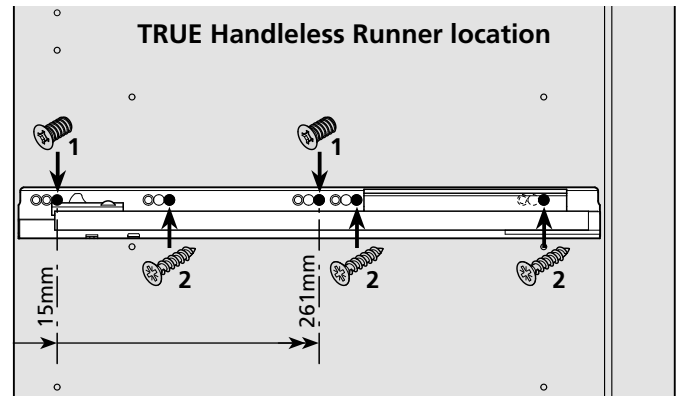
Blumotion Pan Drawer Box



2
15mm x 3.5mm



Note: Locate the Drawer Runners onto the side panels first using screws (1), then tighten. Finish securing the Runner with screws (2).



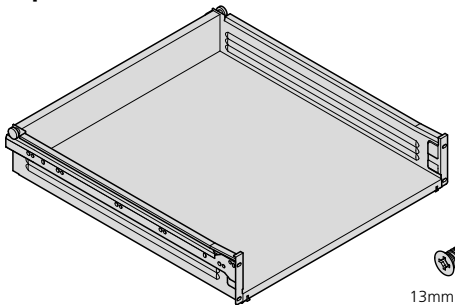
Scan or refer to main installation guide for adjustments.



For Blumotion Drawer Runners Locations, see Section 20.

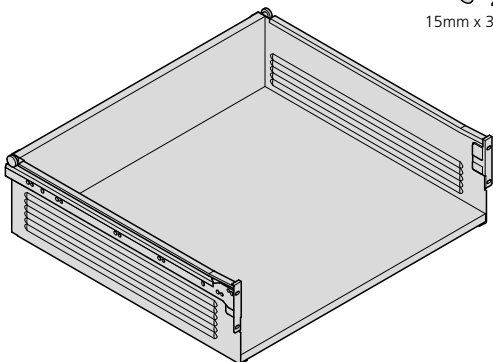
19 Metabox Drawer Types & Runner Screw Fixing

Metabox Top Drawer Box

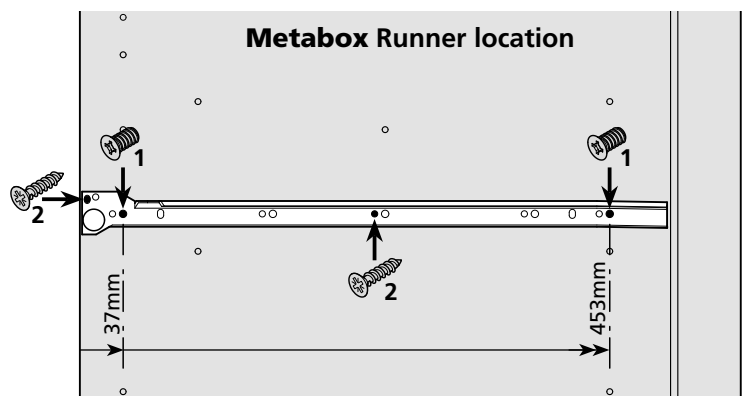


1
13mm x 6mm

Metabox Pan Drawer Box



2
15mm x 3.5mm



Note: Locate the Drawer Runners onto the side panels first using screws (1), then tighten. Finish securing the Runner with screws (2).



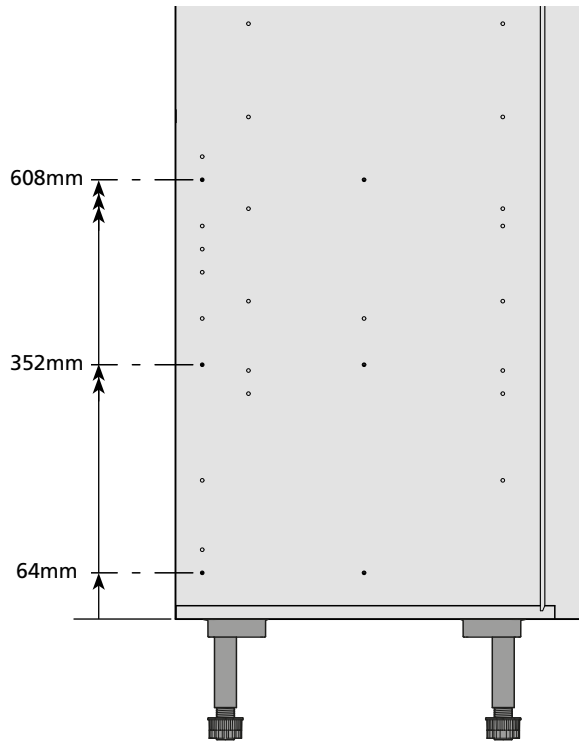
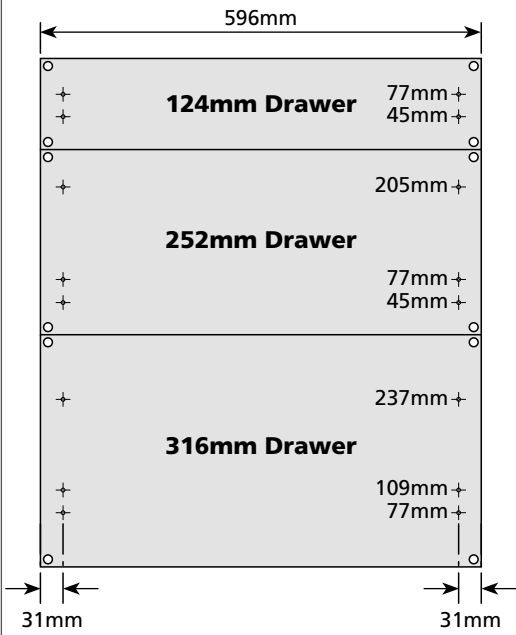
Scan or refer to main installation guide for adjustments.



For Metabox Drawer Runners Locations, see Section 21.

20 Blumotion Drawer Runner Locations

3 Drawer



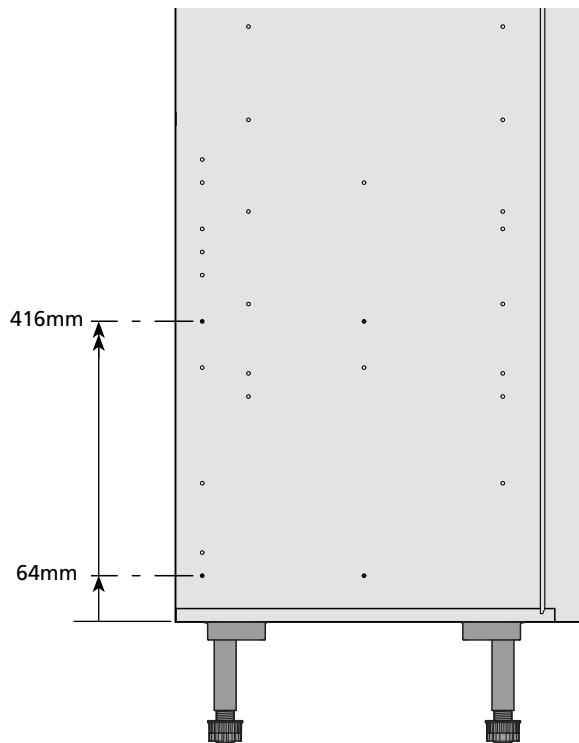
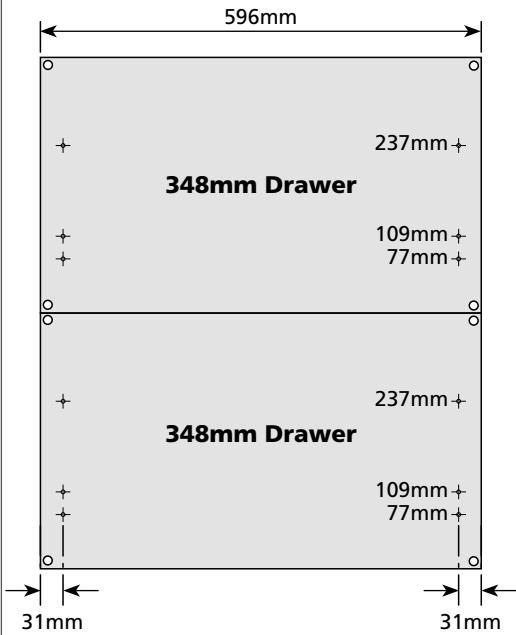
Housing Code

H1A3

H1B3

H1C3

2 Drawer



Housing Code

H1A2

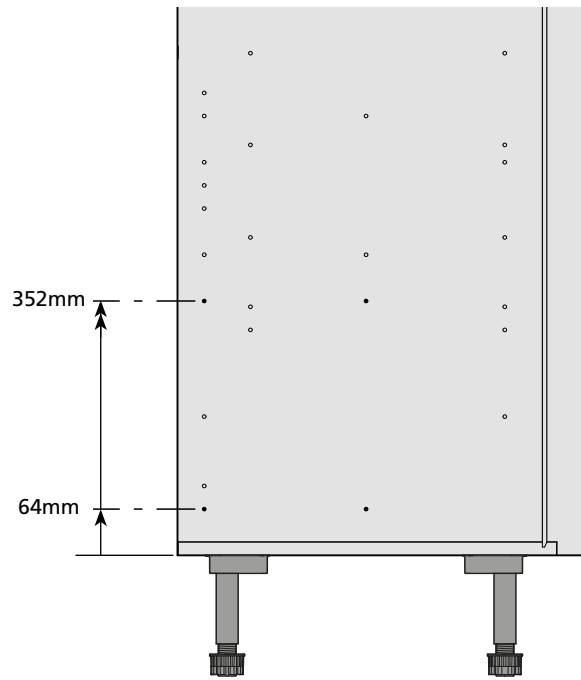
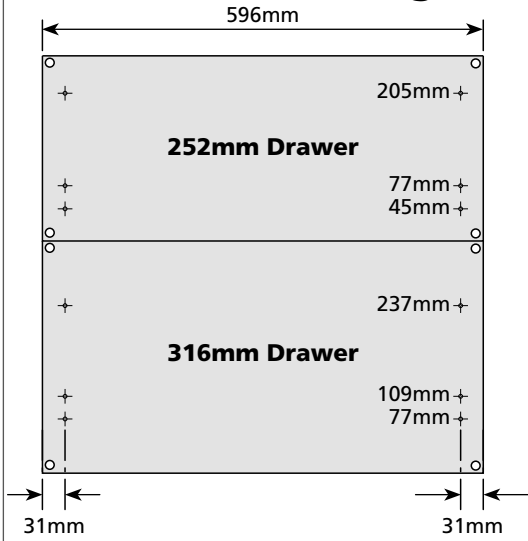
H1B2

H1C2

Note: Fit Door Bumpers where necessary.

20 Blumotion Drawer Runner Locations (Continued)

2 Drawer - Low Height

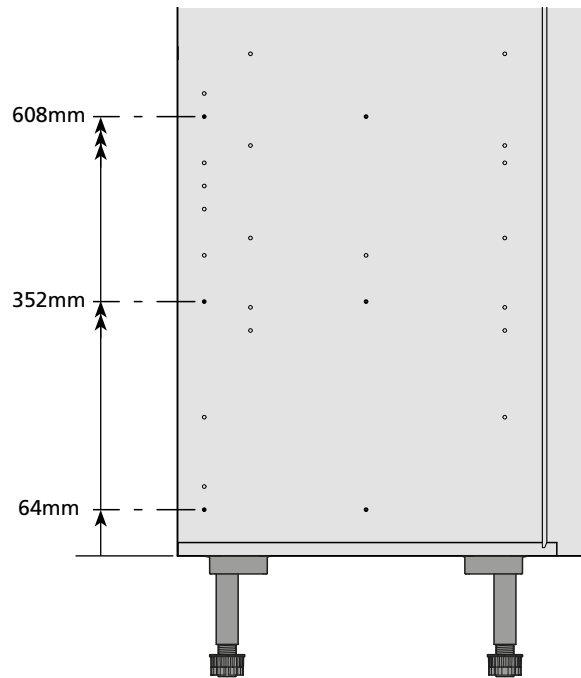
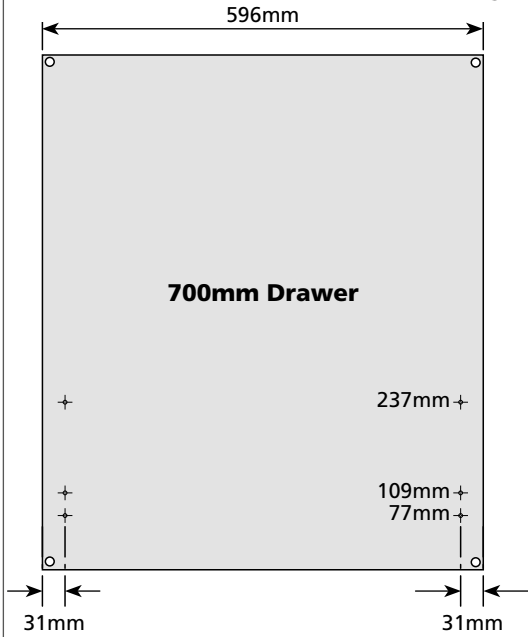


Housing Code

H1D2

H2BB2

700 - Internal Drawer System



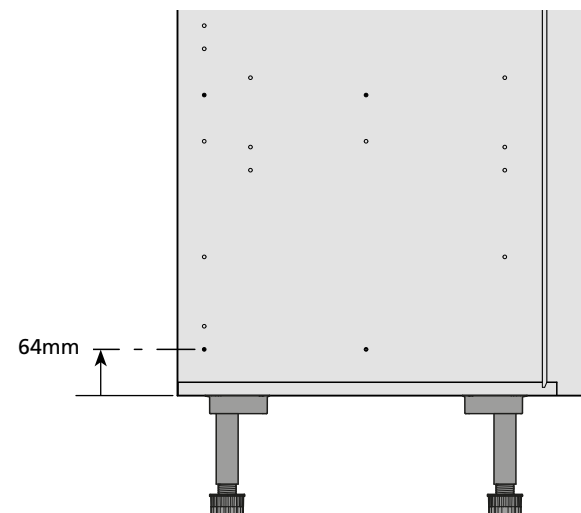
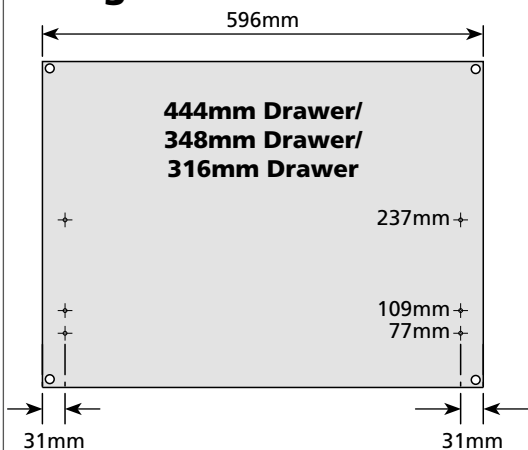
Housing Code

H1A1BIDS

H1B1BIDS

H1C1BIDS

Single Pan Drawer



Housing Code

H2AC1

H2BC1

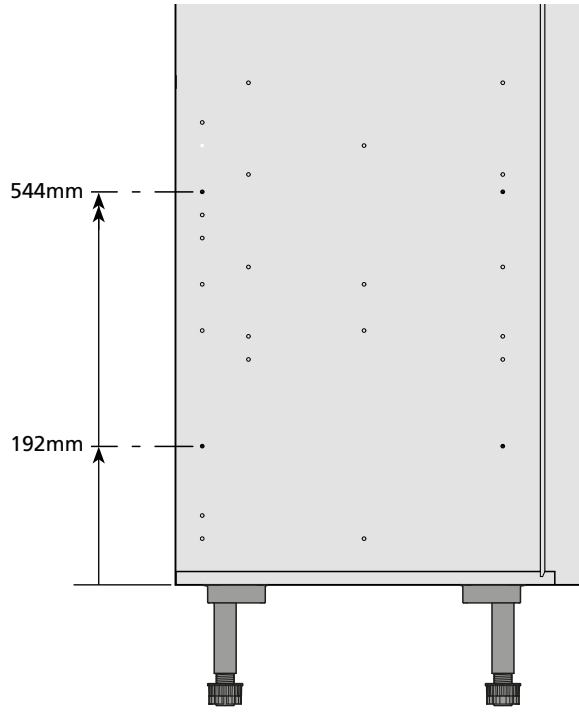
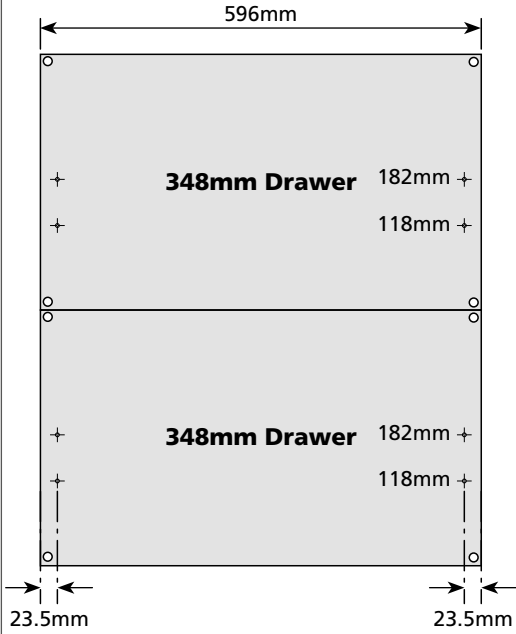
H2AD1

H2CC1

Note: Fit Door Bumpers where necessary.

21 Metabox Drawer Runner Locations

2 Drawer



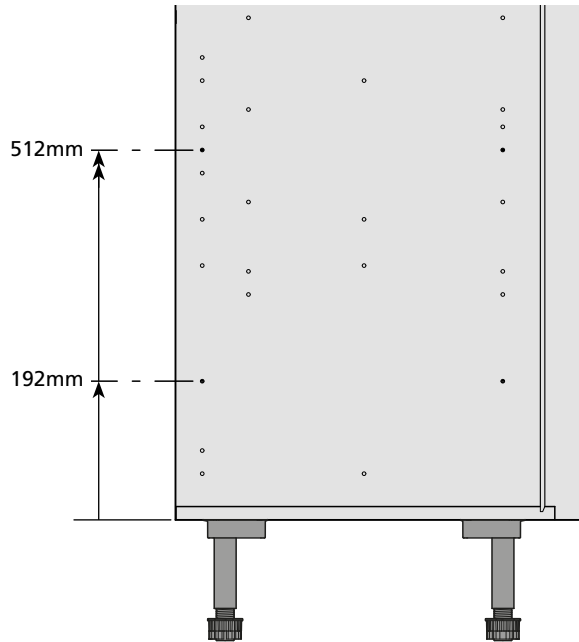
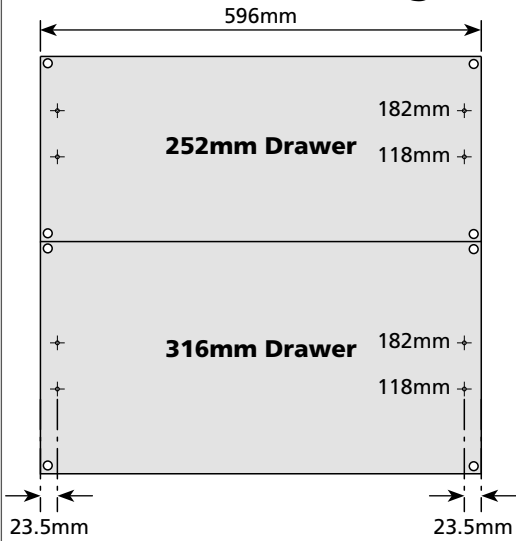
Housing Code

H1A2

H1B2

H1C2

2 Drawer - Low Height

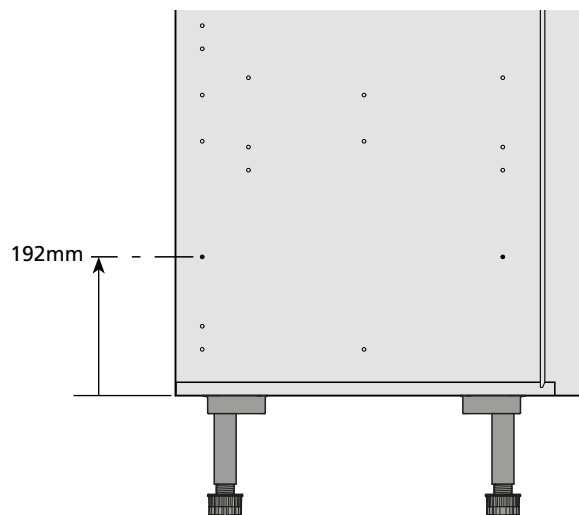
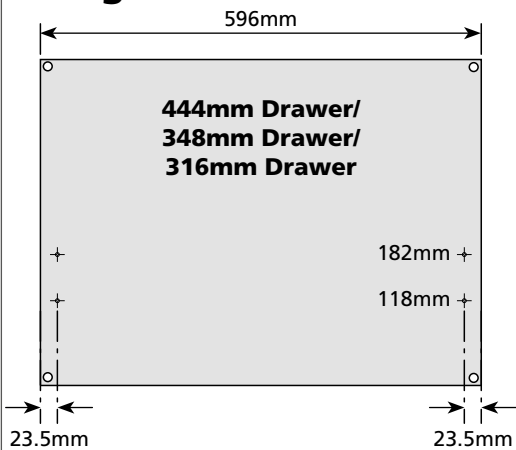


Housing Code

H1D2

H2BB2

Single Pan Drawer



Housing Code

H2AC1

H2BC1

H2AD1

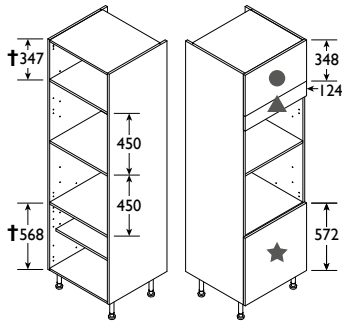
H2CC1

Note: Fit Door Bumpers where necessary.

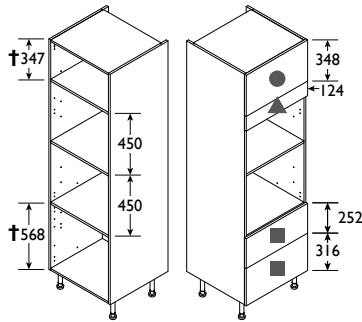
2118mm Tall Standard Appliance Housings Aperture & Frontal Sizes

Combi appliance housing types - All door types

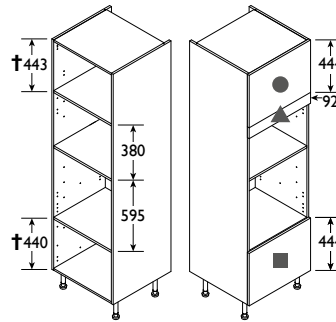
Type H2BB1



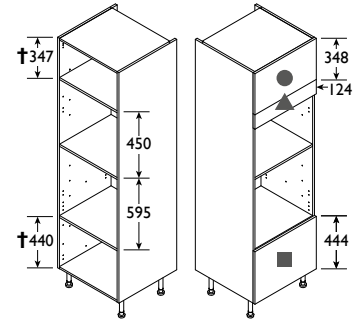
Type H2BB2



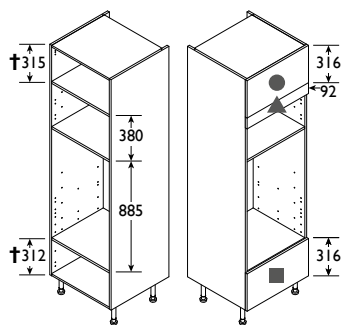
Type *H2AC1



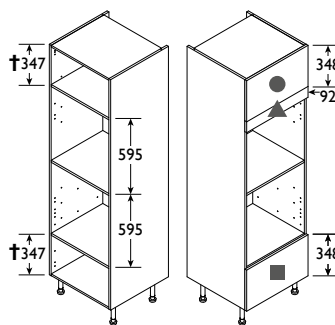
Type *H2BC1



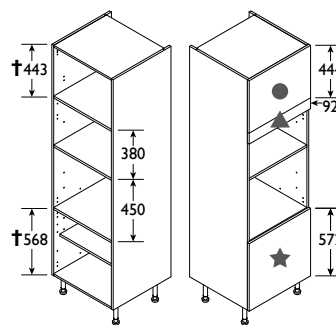
Type **H2AD1



Type *H2CC1

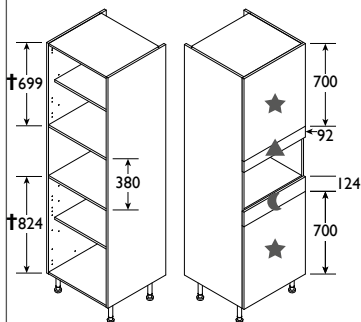


Type H2AB1

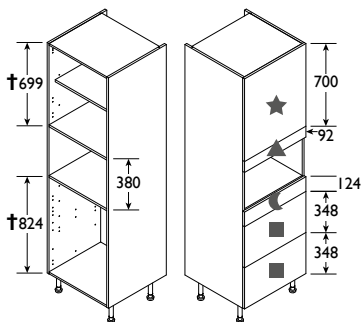


380 High Appliances - All door types

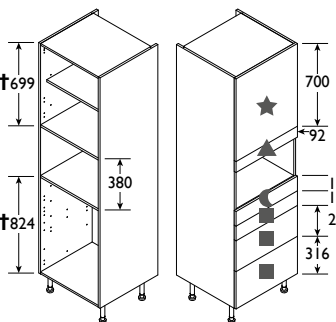
Type H1A1



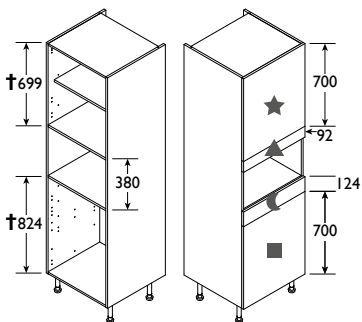
Type H1A2



Type H1A3



Type H1A1BIDS



★ = Hinged Frontal ■ = Drawer Frontal ● = Flap Frontal ◐ = Dummy Drawer Frontal ▲ = Filler Frontal

† Fixed shelf positions. All dimensions are to the centre of the shelf.

***H2AC1, H2BC1, H2CC1, H1C1, H1C2, H1C3, H1C1BIDS**

Current aperture of 595mm can be used with 140mm OR 150mm warming drawer + 450mm appliance.

****H2AD1, H1D1, H1D2**

Current aperture of 885mm can be used with 290mm warming drawer + 595mm appliance.

The filler size indicated is the supplied panel size. In most cases, the filler requires trimming to suit the specific appliance size. Seal any raw edges and attach the strip supplied, See Step 17.

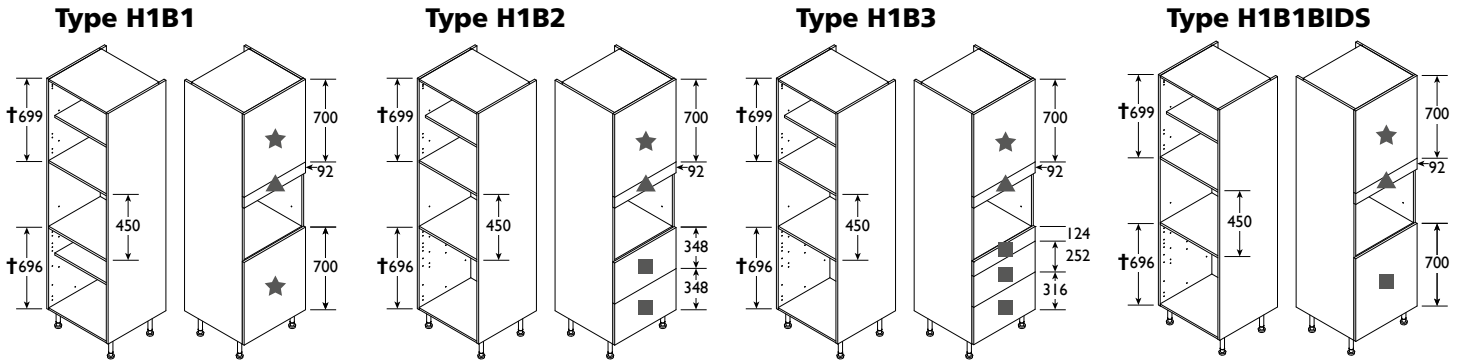
Important: Please refer to the appliance manufacturer's fitting instructions as improper fitting may invalidate the appliance manufacturer's warranty.

Make sure that the appliances are accessible and can be removed from the carcass if service is necessary.

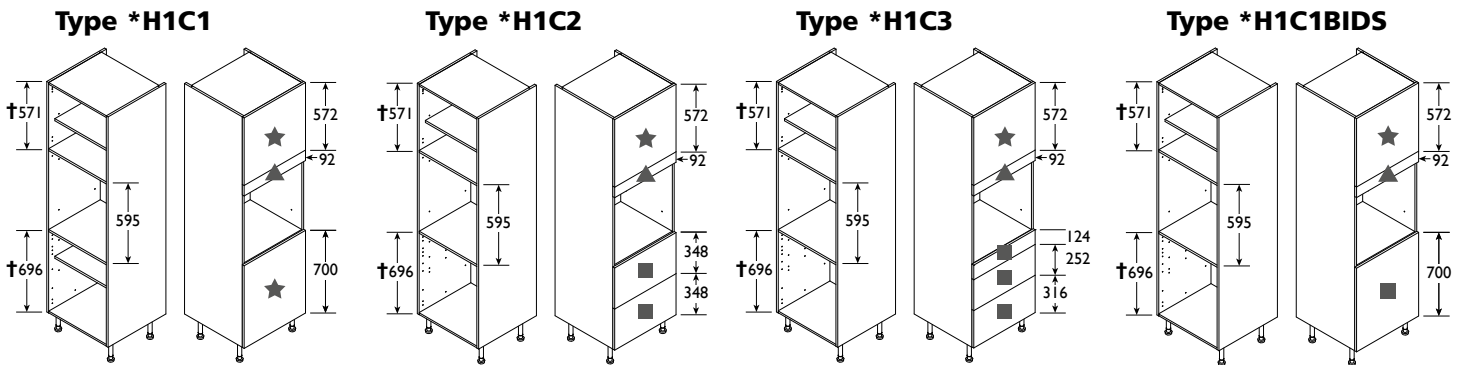
Ensure the units are properly vented as required by the appliance manufacturer.

22 2118mm Tall Standard Appliance Housings (Continued) Aperture & Frontal Sizes

450 High Appliances - All door types



600 High Appliance housing types - All door types



★ = Hinged Frontal ■ = Drawer Frontal ● = Flap Frontal ◐ = Dummy Drawer Frontal ▲ = Filler Frontal

† Fixed shelf positions. All dimensions are to the centre of the shelf.

*H2AC1, H2BC1, H2CC1, H1C1, H1C2, H1C3, H1C1BIDS

Current aperture of 595mm can be used with 140mm OR 150mm warming drawer + 450mm appliance.

**H2AD1, H1D1, H1D2

Current aperture of 885mm can be used with 290mm warming drawer + 595mm appliance.

The filler size indicated is the supplied panel size. In most cases, the filler requires trimming to suit the specific appliance size. Seal any raw edges and attach the strip supplied, See Step 17.

Important: Please refer to the appliance manufacturer's fitting instructions as improper fitting may invalidate the appliance manufacturer's warranty.

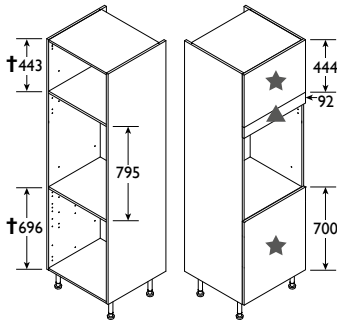
Make sure that the appliances are accessible and can be removed from the carcass if service is necessary.

Ensure the units are properly vented as required by the appliance manufacturer.

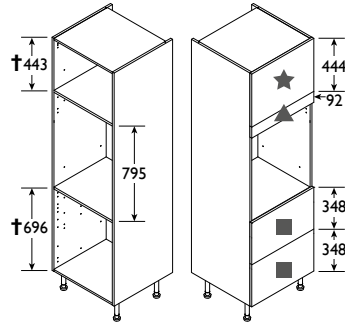
22 2118mm Tall Standard Appliance Housings (Continued) Aperture & Frontal Sizes

800 High Appliance housing types - All door types

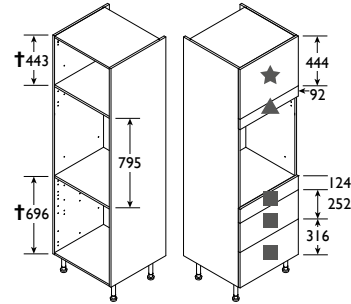
Type H1E1



Type H1E2

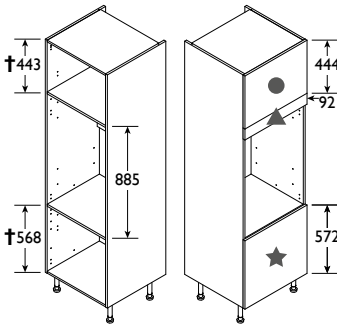


Type H1E3

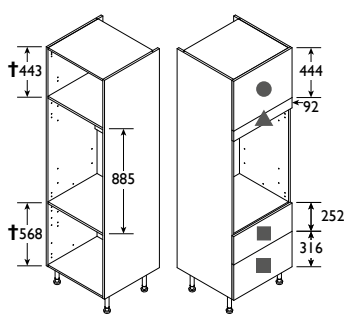


900 High Appliance housing types - All door types

Type **H1D1



Type **H1D2



★ = Hinged Frontal ■ = Drawer Frontal ● = Flap Frontal ☾ = Dummy Drawer Frontal ▲ = Filler Frontal

† Fixed shelf positions. All dimensions are to the centre of the shelf.

*H2AC1, H2BC1, H2CC1, H1C1, H1C2, H1C3, H1C1BIDS

Current aperture of 595mm can be used with 140mm OR 150mm warming drawer + 450mm appliance.

**H2AD1, H1D1, H1D2

Current aperture of 885mm can be used with 290mm warming drawer + 595mm appliance.

The filler size indicated is the supplied panel size. In most cases, the filler requires trimming to suit the specific appliance size. Seal any raw edges and attach the strip supplied, See Step 17.

Important: Please refer to the appliance manufacturer's fitting instructions as improper fitting may invalidate the appliance manufacturer's warranty.

Make sure that the appliances are accessible and can be removed from the carcass if service is necessary. Ensure the units are properly vented as required by the appliance manufacturer.

23 Shelf for Hinged Doors

Note: Select the required shelf positions.

